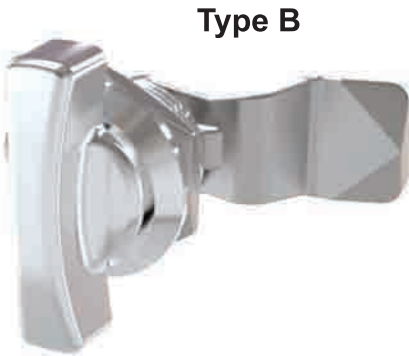


Type A



Type B

**Material**

**Housing** : Polyamide (PA6 GFR30), black  
Zinc die, chrome plated or  
black coated

**Insert** : Polyamide (PA6 GFR30), black  
PA over Zinc die

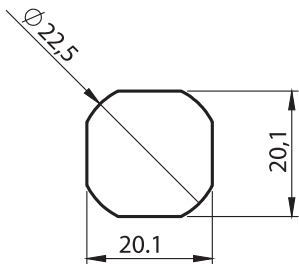
**Nut** : Plastic or Zinc die, zinc plated

**Cam** : Plastic or Steel, zinc plated

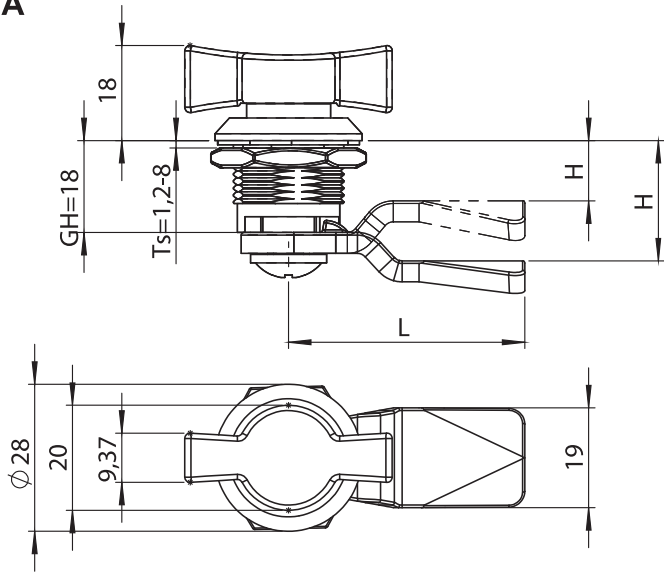
**Options**

**Cams** : Page 84-85

**Cut out**

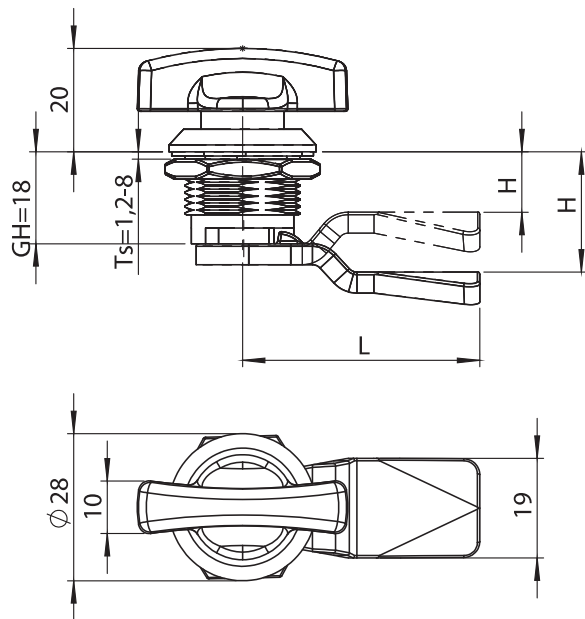


Type A



Housing: PA	Housing : PA	Housing: Zinc Die, black coated
Wing Knob: PA	Wing Knob: PA over Zinc Die	Wing Knob: PA over Zinc Die
1001 - 200	1001 - 220	1011 - 320

Type B



1011 - Wing Knob Quarter Turn GH=18

	PA	Zinc Die, Chrome Plated	Zinc Die, Black Coated
B Type	1071 - 200 - xxx	1075 - 310 - xxx	1075 - 320 - xxx

You may chose XXX section from cam tables