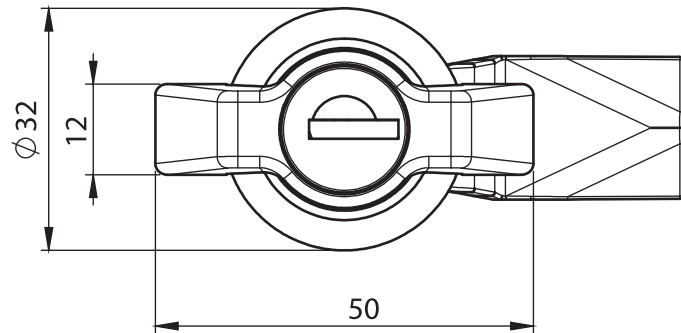
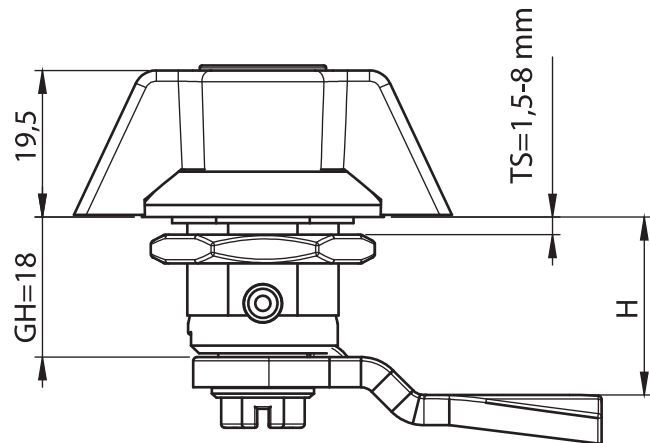


Quarter Turns



Material

Housing : Zinc die, chrome plated or black coated

Wing Knob : Zinc die, chrome plated, black coated or PA over Zinc Die

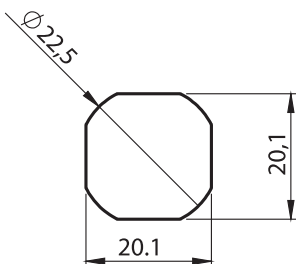
Nut : Zinc die, zinc plated

Cam : Plastic or Steel, zinc plated

Options

Cams : Page 84-85

Cut out



1015 - Wing Knob with Cylinder GH=18

	PA over Zinc Die	Chrome Plated	Black Coated
Unlocking	1015 - 100 - xxx	1015 - 210 - xxx	1015 - 220 - xxx
Keyed 3333	1015 - 900 - xxx	1015 - 910 - xxx	1015 - 920 - xxx
Keyed Differ	1015 - 909 - xxx	1015 - 919 - xxx	1015 - 929 - xxx

You may chose XXX section from cam tables

IP 65



LH/RH

RoHS