

Quarter Turns



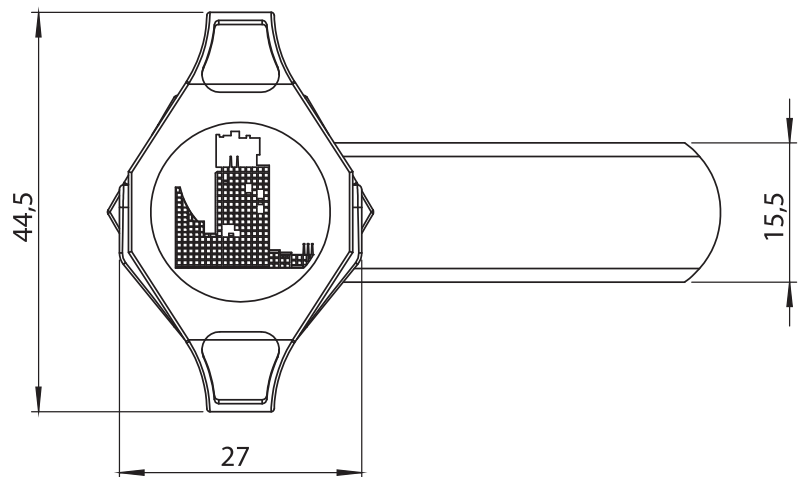
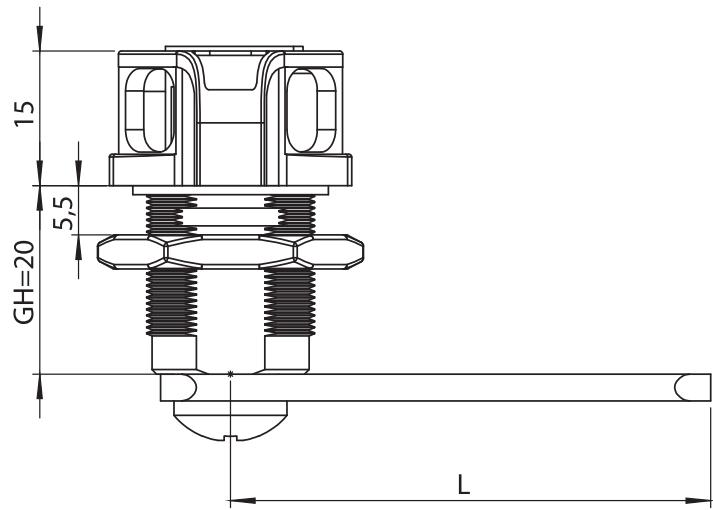
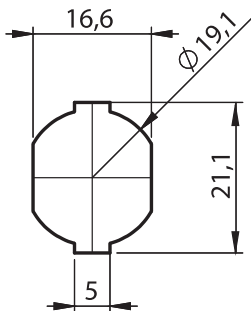
Material

- Wing Knob** : Zinc Die, chrome plated
- Housing** : Zinc Die, zinc plated
- Nut** : Zinc Die, zinc plated
- Spring** : Spring Steel

Options

Cams : Page 85

Cut out



Spring

1100 - Quarter Turn with Padlock GH=18

	Assembled with Nut	Assembled with Spring
RH	1100 - 100 - xxx	1100 - 200 - xxx
LH	1100 - 101 - xxx	1100 - 201 - xxx

You may chose XXX section from Table 7 in cam pages.

IP 65



RoHS

LH

RH