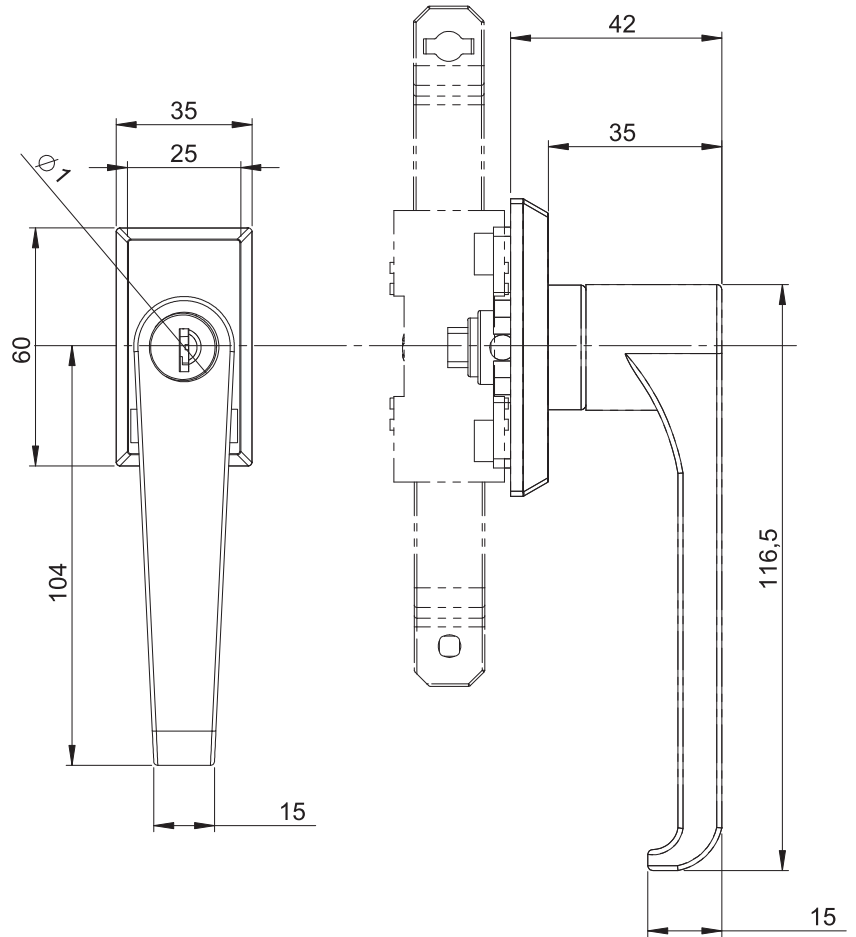


Stainless Steel Products



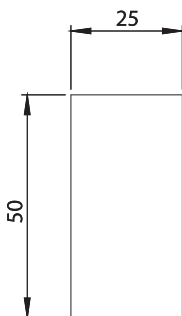
Material

Housing : Polyamide (PA6 GFR30), black
L handle : Stainless Steel, AISI 316

Options

Cams : Page 336

Cut Out



1255 - Quarter Turn - L Handle with Escutcheon

	Item Number
Non Locking	1255 - 510 - xxx
Keyed Alike 3333	1255 - 513 - xxx

You may chose XXX section from cam tables

IP 65



LH/RH

