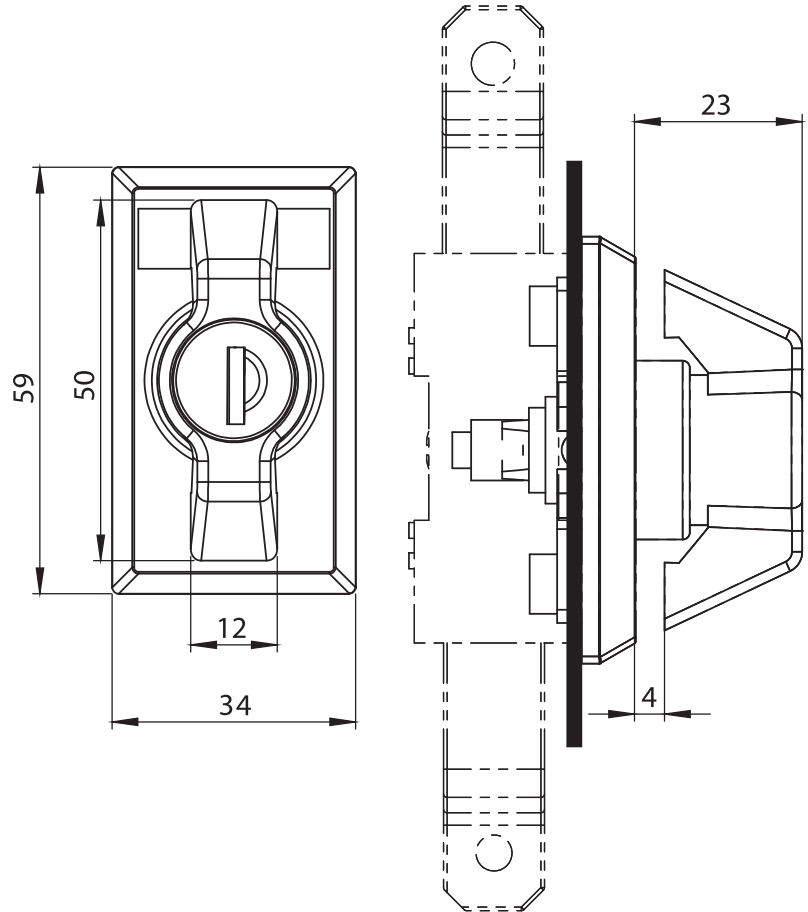


Stainless Steel Products



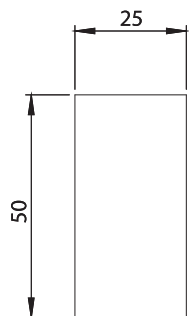
Material

Wing Knob : Stainless Steel, AISI 316
Housing : Polyamide (PA6 GFR30)

Options

Cams : Page 336

Cut Out



1515 - Wing Knob Quarter Turn with Escutcheon

	Item Number
Non Locking	1515 - 510 - xxx
Keyed Alike 3333	1515 - 513 - xxx

You may chose XXX section from cam tables

IP 65



LH/RH

