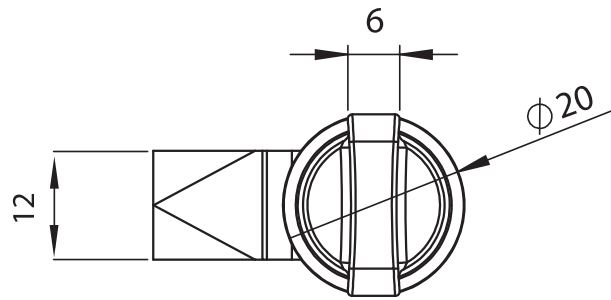
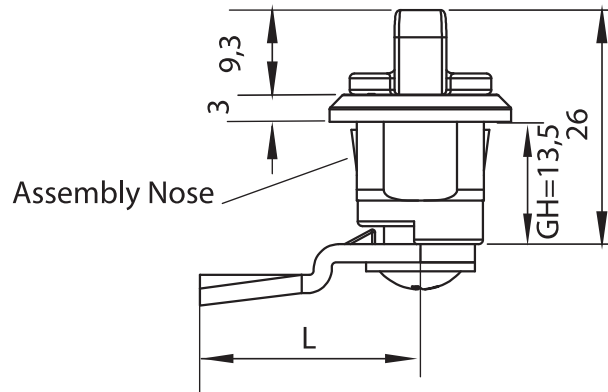




Quarter Turns



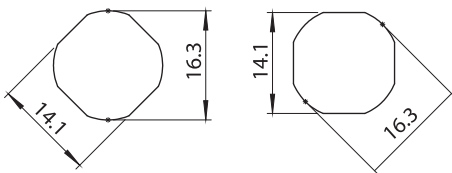
**Material**

**Housing** : Polyamide (PA6 GFR30), black  
**Insert** : Polyamide (PA6 GFR30), black  
**Cam** : Steel, zinc plated

**Options**

**Cams** : Page 84

**Cut out**



Version A

Version B

**1814 - Mini, Clip-in Wing Knob Quarter Turn GH=13,5**

	Version A Cutout	Version B Cutout
Item Number	1815 - 004 - xxx	1814 - 004 - xxx

You may chose the XXX part from the first table of cam pages.

IP 44  LH/RH  RoHS 