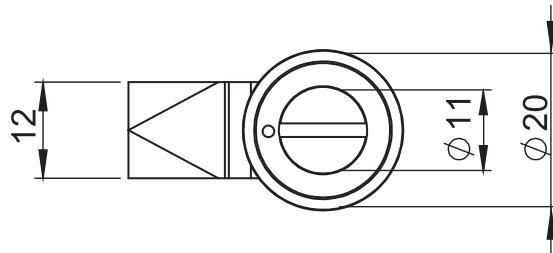
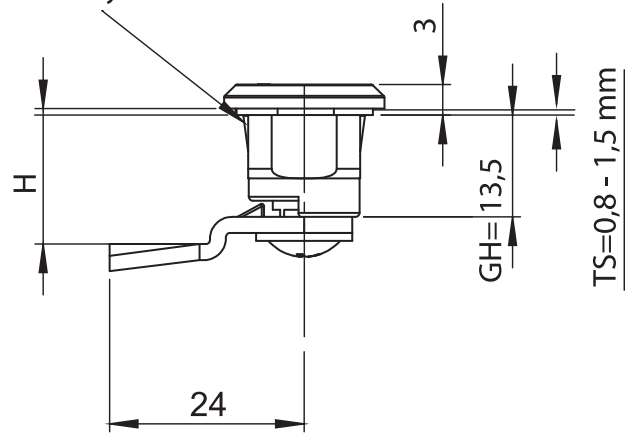




Quarter Turns

Nose for assembly



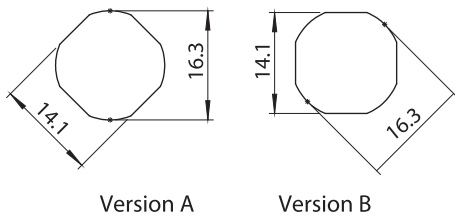
Material

Housing : Polyamide (PA6 GFR30), black
Insert : Polyamide (PA6 GFR30), black
Cam : Steel, zinc plated

Options

Cams : Page 84
Keys : Page 45

Cut out



1815 - Mini, Clip-in Quarter Turn GH=13,5

	Insert Types	Version A Cutout	Version B Cutout
	Square 6	1815 - 001 - xxx	1814 - 001 - xxx
	Triangular 6.5	1815 - 002 - xxx	1814 - 002 - xxx
	Slotted	1815 - 003 - xxx	1814 - 003 - xxx

You may chose the XXX part from the first table of cam pages.

IP 44



LH/RH

RoHS