



Quarter Turns

Material

Housing: Zinc Die, Black coated or Chrome plated

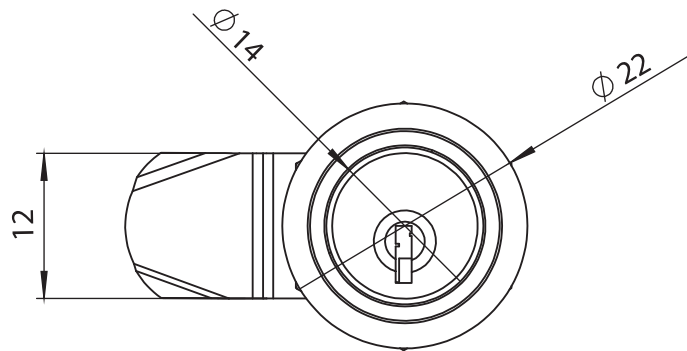
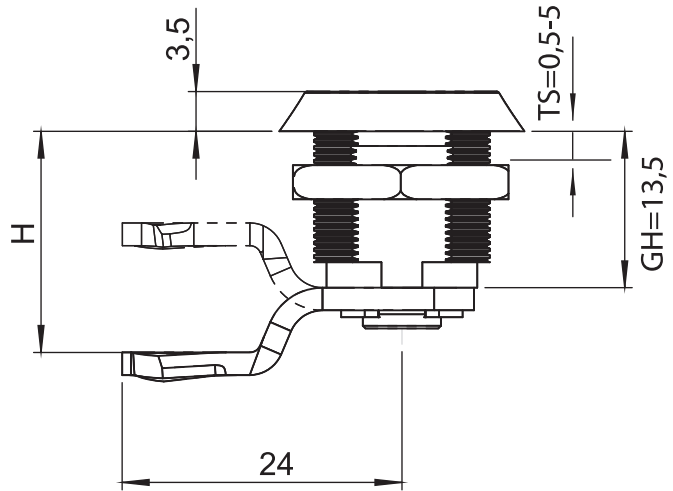
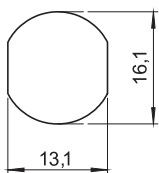
Nut : Zinc Die, zinc plated

Cam : Steel, zinc plated

Options

Cams : Page 84

Cut out



1890 - Mini Quarter Turn with Cylinder GH=13,5

	Chrome Plated	Black Coated
Keyed 2222	1890 - 910 - xxx	1890 - 920 - xxx
Keyed Differ	1890 - 919 - xxx	1890 - 929 - xxx

You may chose the XXX part from the second table of cam pages.

IP 44



LH/RH

RoHS