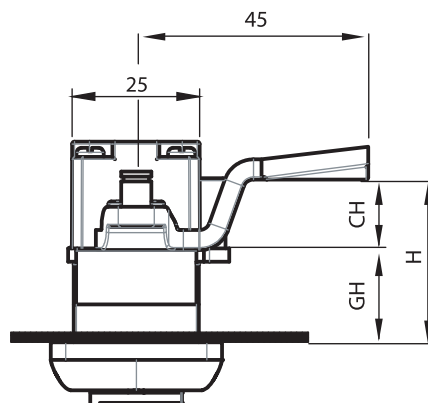
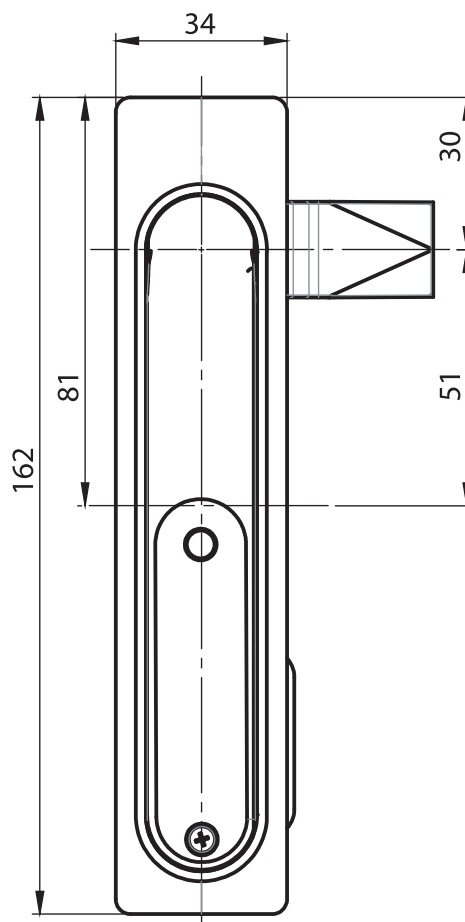
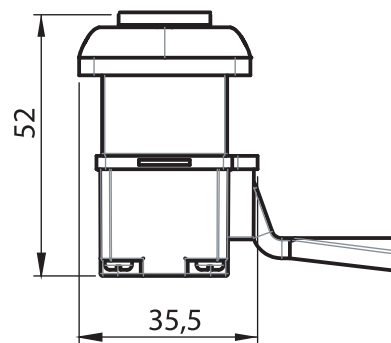
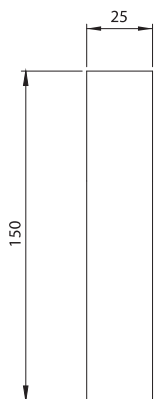
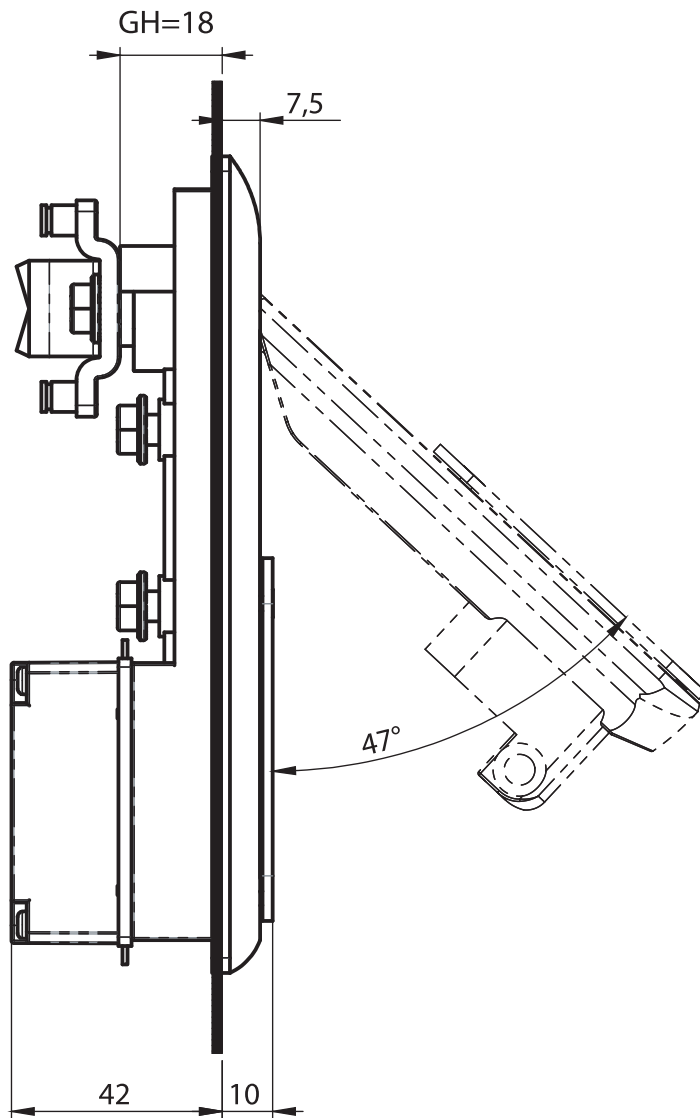


Swinghandles

Cut out





Swinghandles

### Material

- Handle** : Zinc Die, black coated or chrome plated
- Dish** : Zinc Die, black coated or chrome plated
- Dust Cover** : Steel, black coated or chrome plated

### Options

- Cams** : Page 84-85
- Round Rods** : Page 81
- Rod Guides** : Page 82

### 2101 - Swinghandle (Zinc Die, black coated)

Profile	Cylinder Type	Without Dustcover	With Dustcover
	Double Bit 3 mm	2101 - 031 - xxx	2101 - 131 - xxx
	Double Bit 5 mm	2101 - 032 - xxx	2101 - 132 - xxx
	Triangular 7 mm	2101 - 037 - xxx	2101 - 137 - xxx
	Triangular 8 mm	2101 - 033 - xxx	2101 - 133 - xxx
	Triangular 9 mm	2101 - 039 - xxx	2101 - 139 - xxx
	Square 7 mm	2101 - 034 - xxx	2101 - 134 - xxx
	Square 8 mm	2101 - 035 - xxx	2101 - 135 - xxx
	Slotted	2101 - 038 - xxx	2101 - 138 - xxx
	Keyed 3333	2101 - 013 - xxx	2101 - 113 - xxx
	Keyed Same	2101 - 017 - xxx	2101 - 117 - xxx
	Keyed Differ	2101 - 019 - xxx	2101 - 119 - xxx
	Keyed Differ with Master Key	2101 - 018 - xxx	2101 - 118 - xxx

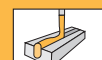
For chrome plated version, please use code 2121 instead of 2101.  
You may chose XXX section from cam tables.

Complete Plastic

IP 65



LH/RH



RoHS