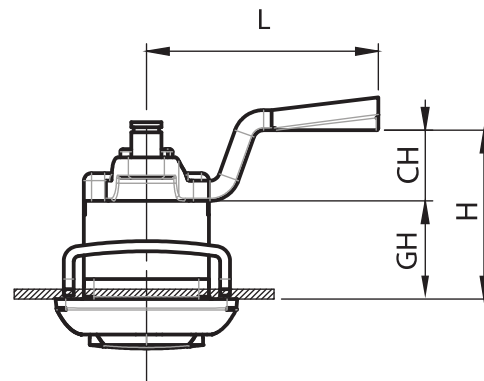
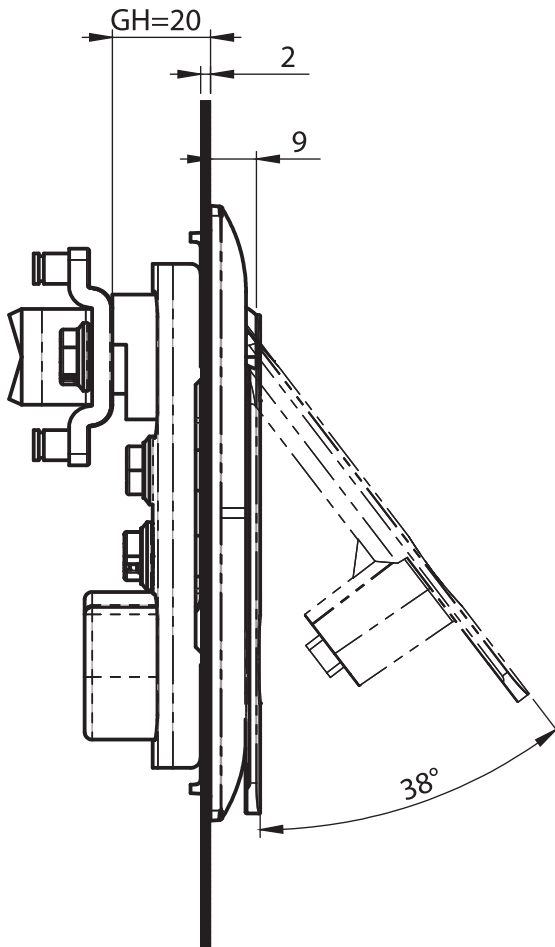


Cut out





Swinghandles

Material

- Handle** : Zinc Die, black coated or chrome plated
Polyamide (PA6 GFR30), black
- Dish** : Zinc Die, black coated or chrome plated
Polyamide (PA6 GFR30), black

Options

- Cams** : Page 84-85
- Round Rods** : Page 81
- Rod Guides** : Page 82

2102 - Swinghandle

Type of Cylinder		Complete Metal Black Coated	Complete PA
	Keyed 3333	2102 - 113 - xxx	2217 - 113 - xxx
	Keyed Same	2102 - 117 - xxx	2217 - 117 - xxx
	Keyed Differ	2102 - 119 - xxx	2217 - 119 - xxx
	Keyed Differ with Master System	2102 - 118 - xxx	2217 - 118 - xxx

For chrome plated version, please use code 2122 instead of 2102.
You may chose XXX section from cam tables

Complete Plastic	Complete Metal	IP 65		LH/RH
				RoHS