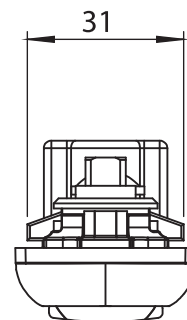
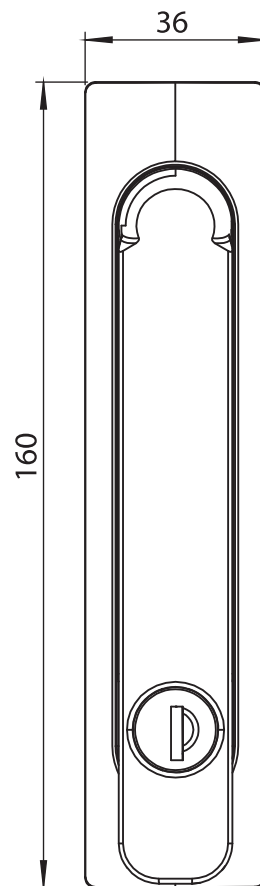
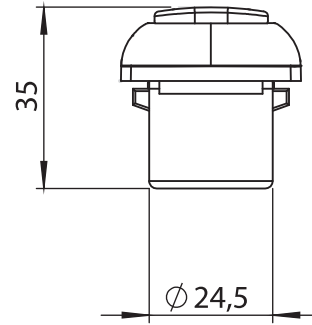
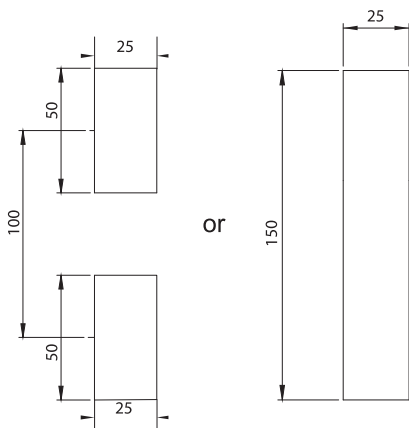
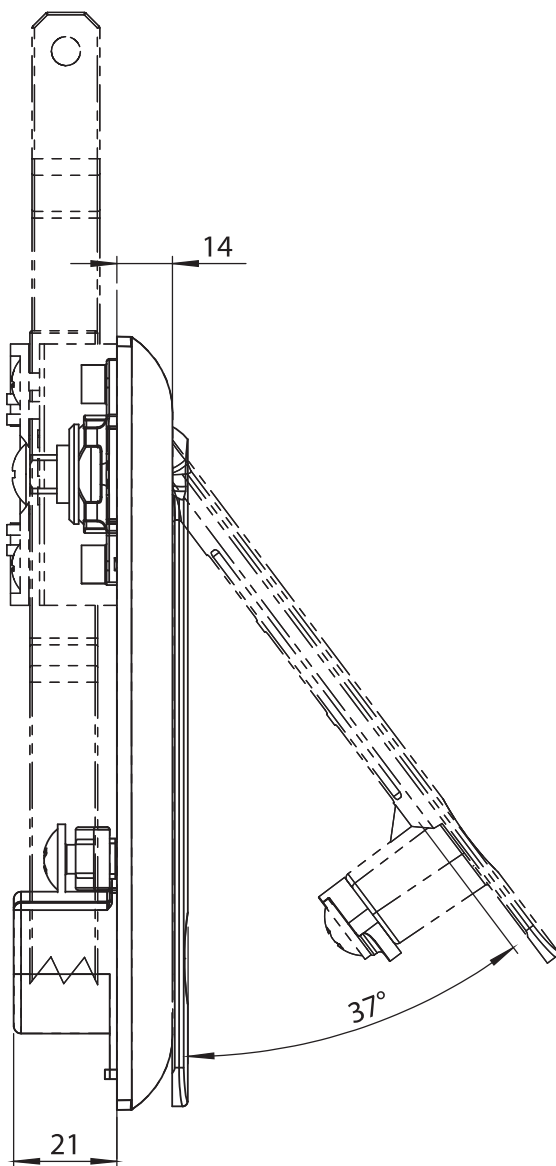


Rod Latch Systems

Cut out





2208 - Swinghandle for Rod Latch

Insert Types		
	Double Bit 3 mm	2208 - 041 - MK - xxx
	Double Bit 5 mm	2208 - 042 - MK - xxx
	Triangular 8 mm	2208 - 047 - MK - xxx
	Triangular 8 mm	2208 - 043 - MK - xxx
	Triangular 9 mm	2208 - 049 - MK - xxx
	Square 7 mm	2208 - 044 - MK - xxx
	Square 8 mm	2208 - 045 - MK - xxx
	Slotted	2208 - 048 - MK - xxx
	Keyed 3333	2208 - 023 - MK - xxx
	Keyed Same	2208 - 027 - MK - xxx
	Keyed Differ	2208 - 029 - MK - xxx
	Keyed Differ with Master System	2208 - 028 - MK - xxx

You may chose XXX section from cam tables.  
 You may chose MK section from Rod Latch Pages 96-98.



Rod Latch Systems

**Material**

**Handle** : Polyamide (PA6 GFR30), black  
**Dish** : Polyamide (PA6 GFR30), black

**Options**

- Rod Latch** : Page 96
- Cam Adapter** : Page 137
- Cams** : Page 84-85
- Flat Rods** : Page 86-89
- Flat Rod Guides** : 87-91

Complete PA				RoHS
				IP 65
				LH/RH