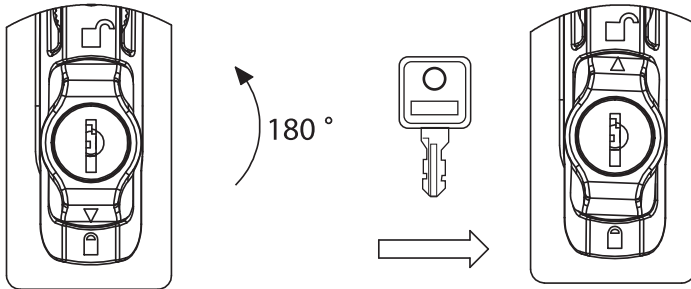
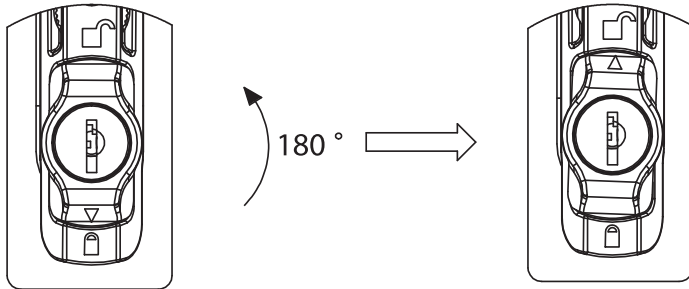


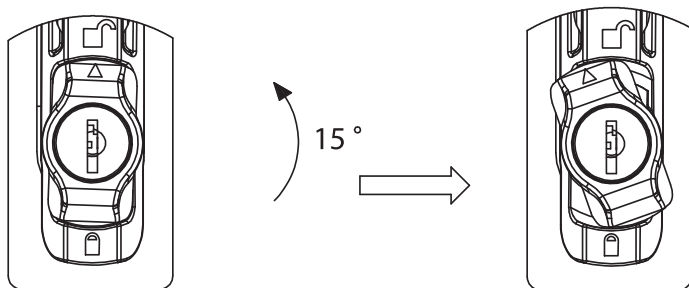
To open the swinghandle with key



To open the swinghandle with code



To change the pin code



To change the code, turn the knob 15°, enter the new code and close the knob again.



Swinghandles

Material

- Handle** : Polyamide (PA6 GFR30), black
- Dish** : Polyamide (PA6 GFR30), black
- Cam** : Steel, zinc plated

Options

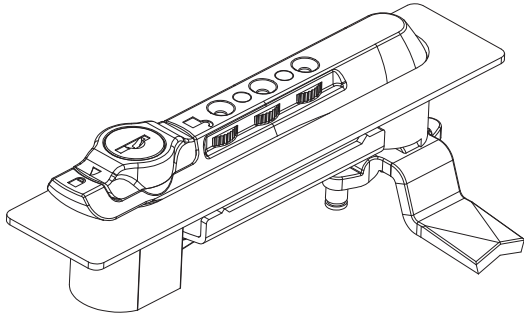
- Cams** : Page 84-85
- Round Rods** : Page 81
- Rod Guides** : Page 82

2209 - Combination Lock Swinghandle

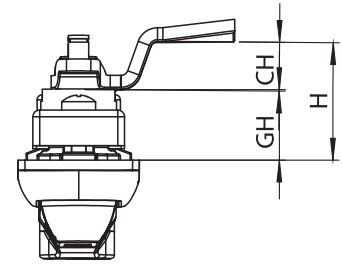
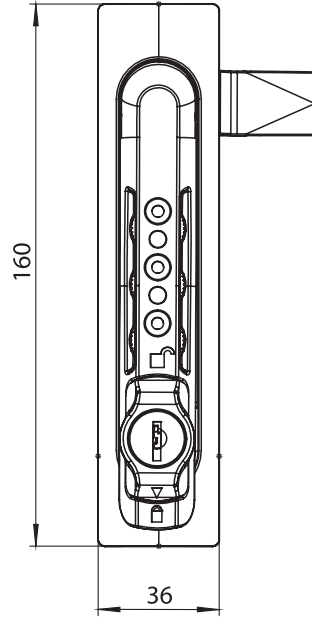
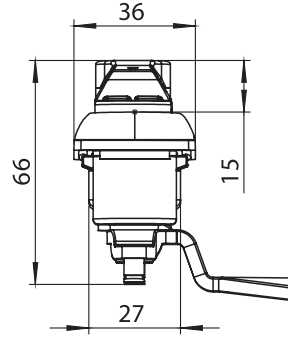
Combination locked and keyed 3333	2209 - 923 - XXX

You may chose the xxx section from cam tables





Swinghandles



Cut out

