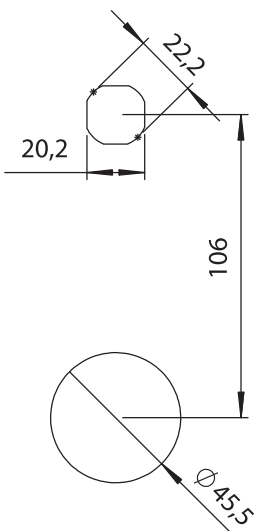
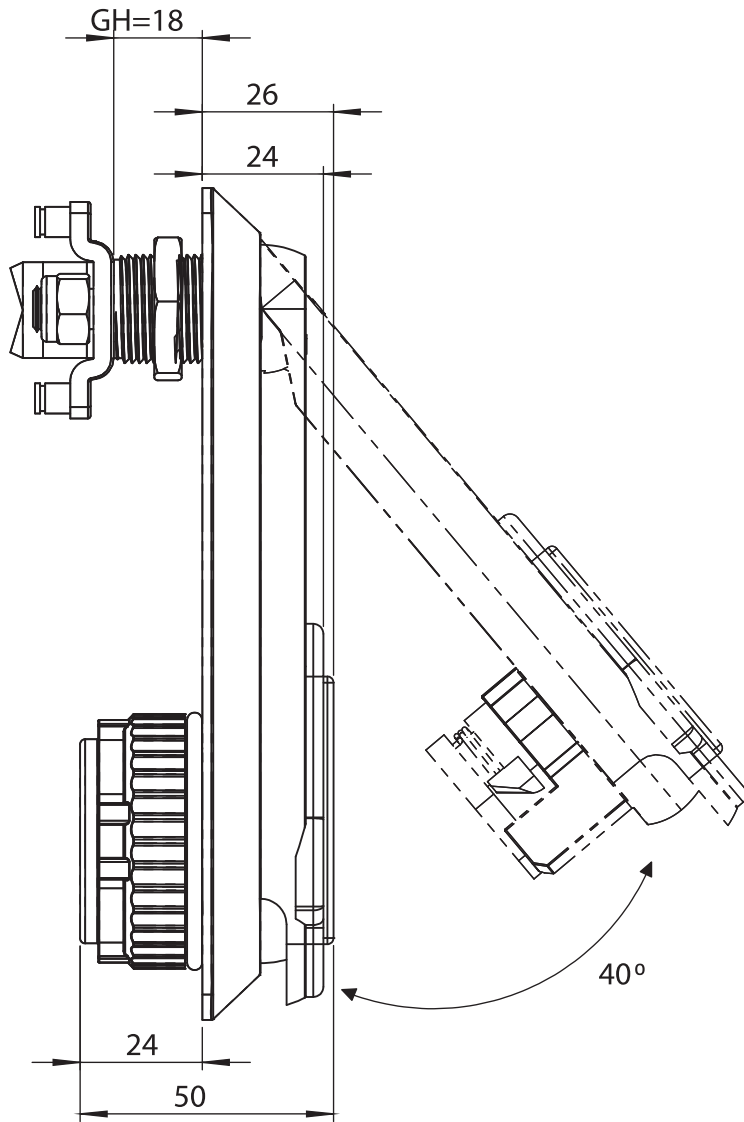


Cut out





Swinghandles

**Material**

- Handle** : Polyamide (PA6 GFR30), black
- Dish** : Polyamide (PA6 GFR30), black
- Dust Cover** : Polyamide (PA6 GFR30), black

**Options**

- Cams** : Page 84-85
- Round Rods** : Page 81
- Rod Guides** : Page 82

**2215 - Swinghandle**

Type of Cylinder		without Dustcover	with Dustcover
	Double Bit 3 mm	2215 - 031 - xxx	2215 - 131 - xxx
	Double Bit 5 mm	2215 - 032 - xxx	2215 - 132 - xxx
	Triangular 8 mm	2215 - 037 - xxx	2215 - 137 - xxx
	Triangular 8 mm	2215 - 033 - xxx	2215 - 133 - xxx
	Triangular 9 mm	2215 - 039 - xxx	2215 - 139 - xxx
	Square 7 mm	2215 - 034 - xxx	2215 - 134 - xxx
	Square 8 mm	2215 - 035 - xxx	2215 - 135 - xxx
	Slotted	2215 - 038 - xxx	2215 - 138 - xxx
	Keyed 3333	2215 - 013 - xxx	2215 - 113 - xxx
	Keyed Same	2215 - 017 - xxx	2215 - 117 - xxx
	Keyed Differ	2215 - 019 - xxx	2215 - 119 - xxx
	Keyed Differ with Master System	2215 - 018 - xxx	2215 - 118 - xxx

You may chose XXX section from cam tables

Complete Plastic	IP 65		LH/RH
			RoHS