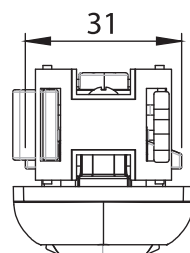
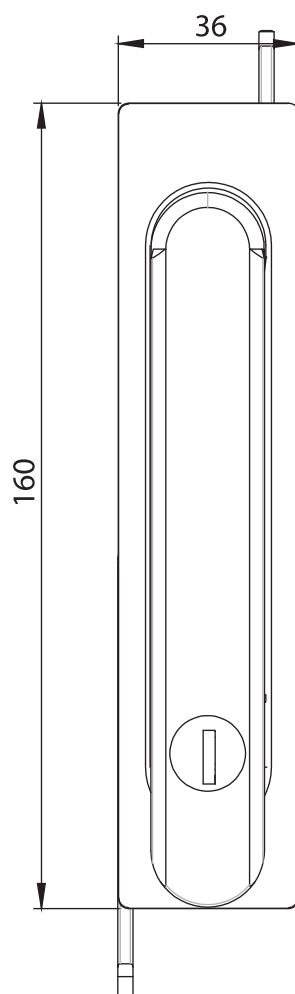
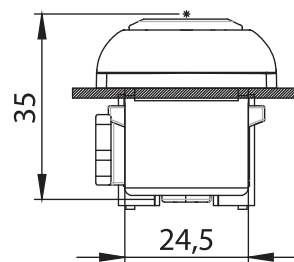
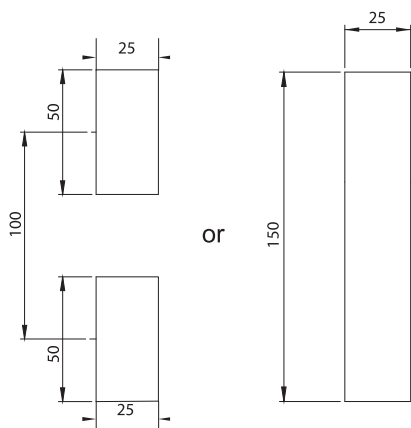
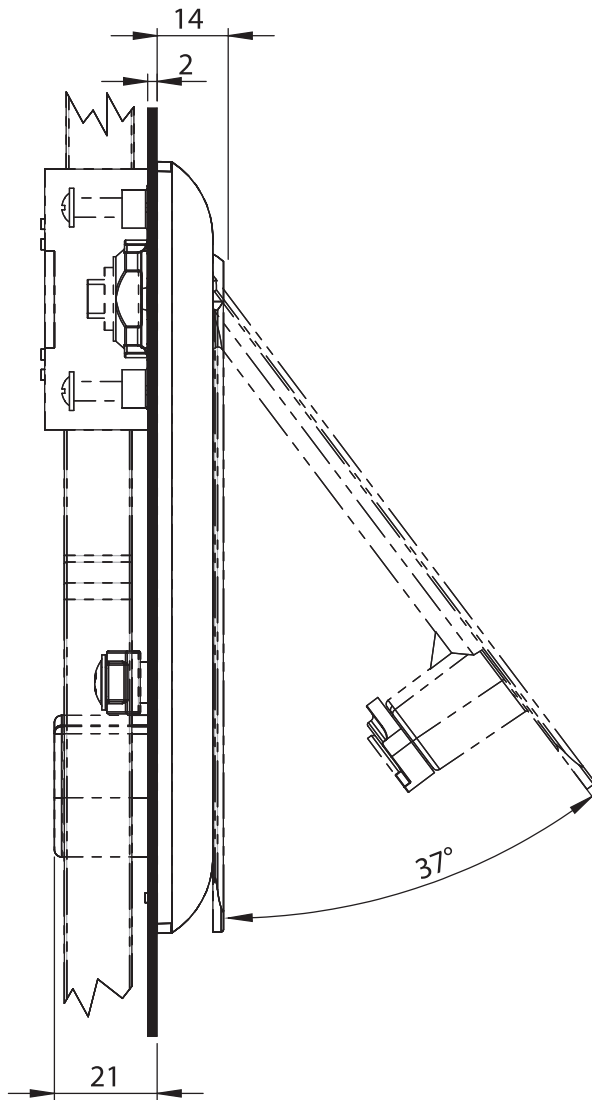


Rod Latch Systems



Cut out





Rod Latch Systems

### 2301 - Swinghandle

Insert Type	Plain	With Padlock
	2301 - 041 - MK - xxx	2301 - 341 - MK - xxx
	2301 - 042 - MK - xxx	2301 - 342 - MK - xxx
	2301 - 047 - MK - xxx	2301 - 347 - MK - xxx
	2301 - 043 - MK - xxx	2301 - 343 - MK - xxx
	2301 - 049 - MK - xxx	2301 - 349 - MK - xxx
	2301 - 044 - MK - xxx	2301 - 344 - MK - xxx
	2301 - 045 - MK - xxx	2301 - 345 - MK - xxx
	2301 - 048 - MK - xxx	2301 - 348 - MK - xxx

	Keyed 3333	2301 - 023 - MK - xxx	2301 - 323 - MK - xxx
	Keyed Same	2301 - 027 - MK - xxx	2301 - 327 - MK - xxx
	Keyed Differ	2301 - 029 - MK - xxx	2301 - 329 - MK - xxx
	Keyed Differ with Master System	2301 - 028 - MK - xxx	2301 - 328 - MK - xxx

You may chose XXX section from cam tables  
 You may chose MK section from Rod Latch Pages 96-98

### Material

**Handle** : Zinc Die, black coated  
**Dish** : Polyamide (PA6 GFR30), black  
**Padlock Device** : Stainless Steel, AISI 304

### Options

**Rod Latch** : Page 96-98  
**Cam Adapter** : Page 137  
**Cams** : Page 84-85  
**Flat Rods** : Page 86-89  
**Flat Rod Guides** : Page 87-91

RoHS

IP 65

LH/RH