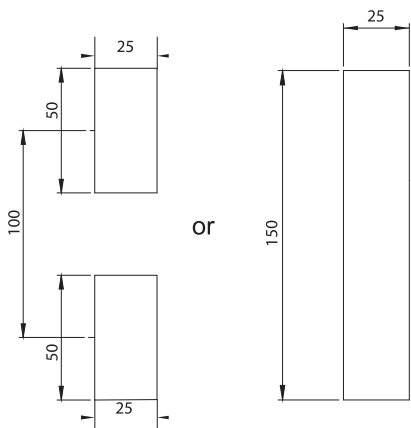
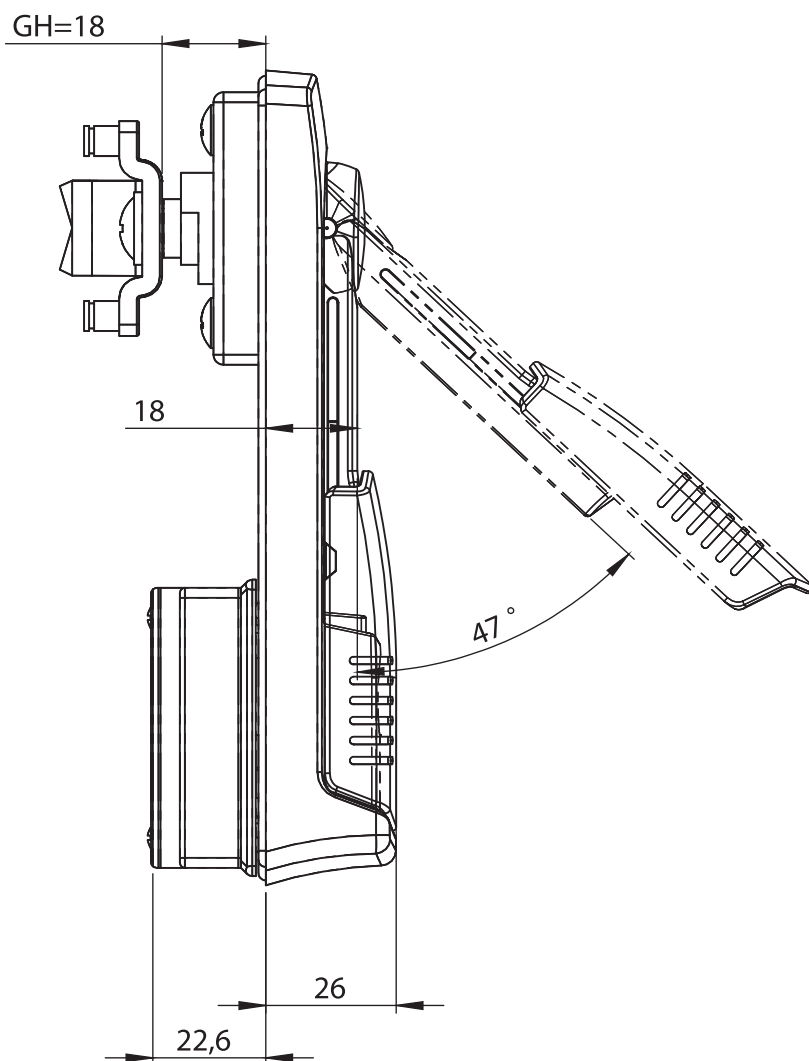


Cut out





2304 - Swinghandle

Type of Profile Cylinder		
	Double Bit 3 mm	2304 - 031 - xxx
	Double Bit 5 mm	2304 - 032 - xxx
	Triangular 8 mm	2304 - 037 - xxx
	Triangular 8 mm	2304 - 033 - xxx
	Triangular 9 mm	2304 - 039 - xxx
	Square 7 mm	2304 - 034 - xxx
	Square 8 mm	2304 - 035 - xxx
	Slotted	2304 - 038 - xxx
	Keyed 3333	2304 - 013 - xxx
	Keyed Same	2304 - 017 - xxx
	Keyed Differ	2304 - 019 - xxx
	Keyed Differ with Master System	2304 - 018 - xxx

You may chose XXX section from cam tables



Material

- Handle** : Zinc Die, black coated
- Dish** : Polyamide (PA6 GFR30), black
- Sliding Cover** : Polyamide (PA6 GFR30), black

Options

- Cams** : Page 84-85
- Round Rods** : Page 81
- Rod Guides** : Page 82

