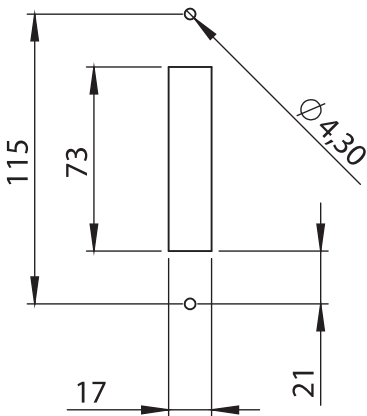
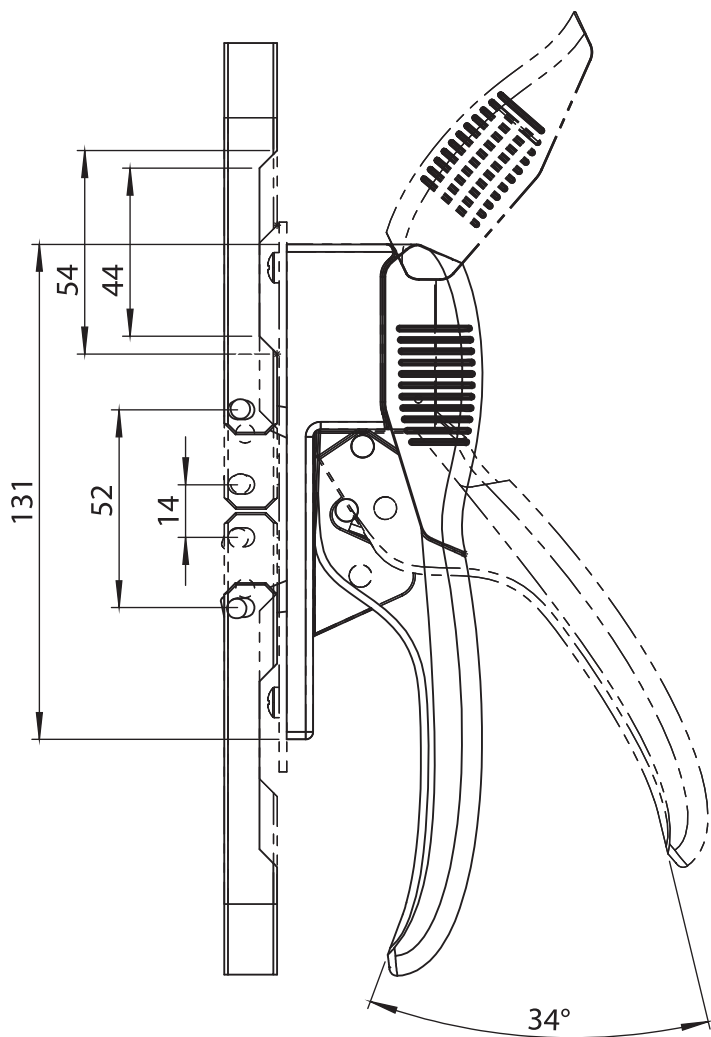


Cut out





2740 - Swinghandle

	Insert Type	Item Number
	Double bit 3 mm	2740 - 041
	Double bit 5 mm	2740 - 042
	Triangular 7 mm	2740 - 047
	Triangular 8 mm	2740 - 043
	Triangular 9 mm	2740 - 049
	Square 7 mm	2740 - 044
	Square 8 mm	2740 - 045
	Slotted	2740 - 048

	Keyed 3333	2740 - 023
	Keyed Same	2740 - 027
	Keyed Differ	2740 - 029
	Keyed Differ with Master System	2740 - 028



Rod Latch Systems

Material:

Dish : Polyamide (PA6 GFR30), black
Handle : Zinc Die, black coated
Dust Cover : PC, transparent antrasit

Options

Rods : The rods are designed according to the customer needs. Please contact with Elkomsan.

Rod Catchers : Page 87-91

