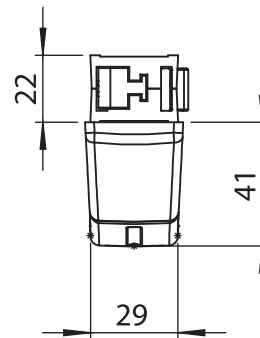
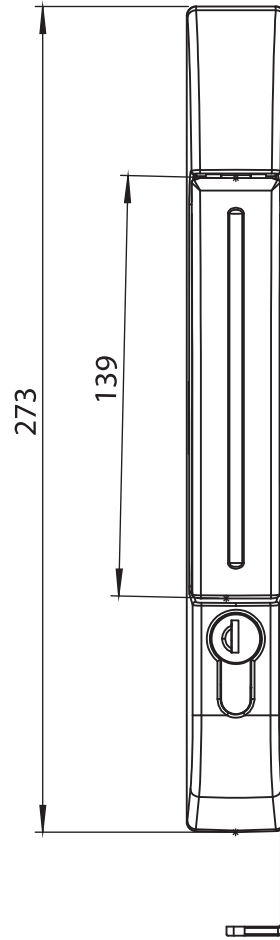
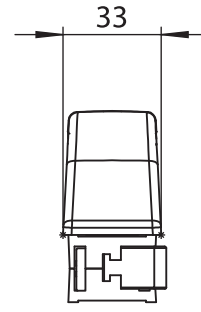
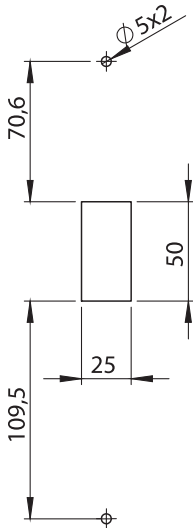
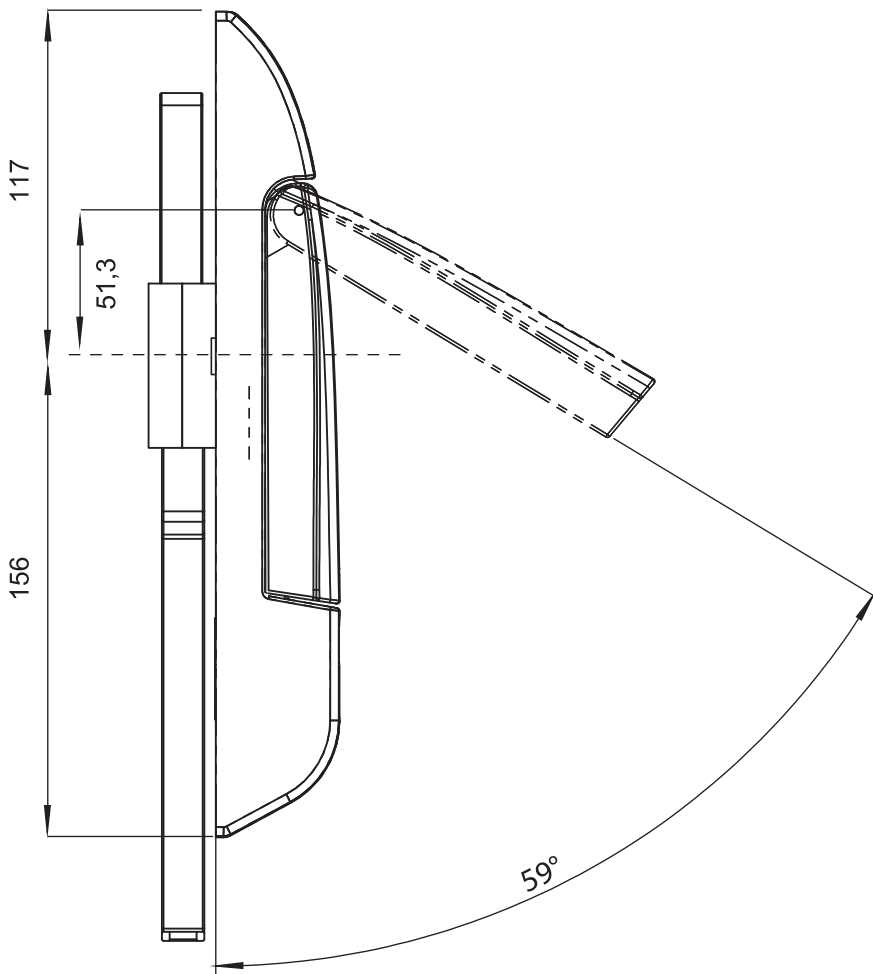


Cut out





Rod Latch Systems

### 2751 - Swinghandle for Small Widths

Insert Type		
	Double bit 3 mm	2751 - 031 - MK - xxx
	Double bit 5 mm	2751 - 032 - MK - xxx
	Triangular 7 mm	2751 - 037 - MK - xxx
	Triangular 8 mm	2751 - 033 - MK - xxx
	Triangular 9 mm	2751 - 039 - MK - xxx
	Square 7 mm	2751 - 034 - MK - xxx
	Square 8 mm	2751 - 035 - MK - xxx
	Slotted	2751 - 038 - MK - xxx

	Keyed 3333	2751 - 013 - MK - xxx
	Keyed Same	2751 - 017 - MK - xxx
	Keyed Differ	2751 - 019 - MK - xxx
	Keyed Differ with Master System	2751 - 018 - MK - xxx

You may chose XXX section from cam tables  
 You may chose MK section from Rod Latch Pages 96-98

### Material

**Dish** : Polyamide (PA6 GFR30), black  
**Handle** : Zinc Die, black coated

### Options

**Rod Latch** : Page 96  
**Cam Adapter** : Page 137  
**Cams** : Page 84-85  
**Flat Rods** : Page 86-89  
**Flat Rod Guides** : Page 87-91

IP 40 LH/RH