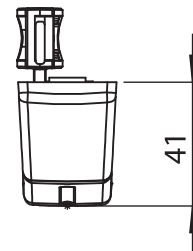
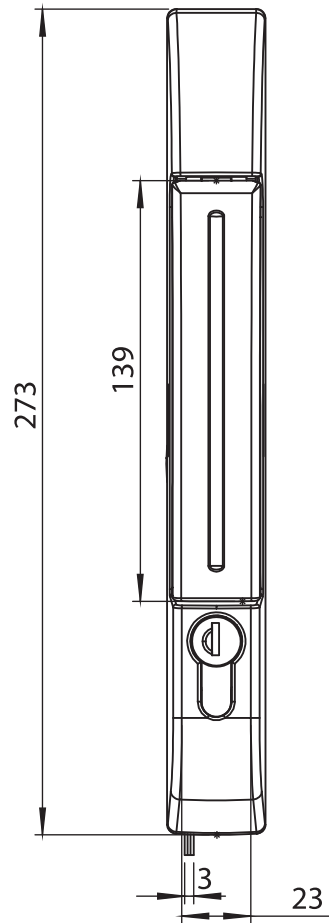
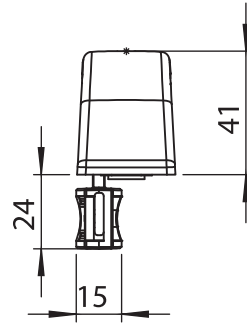
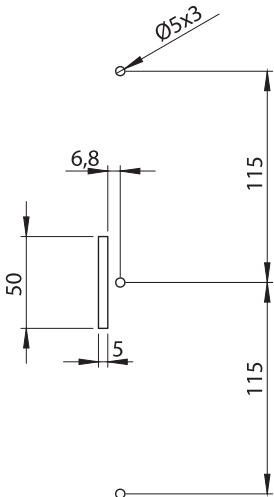
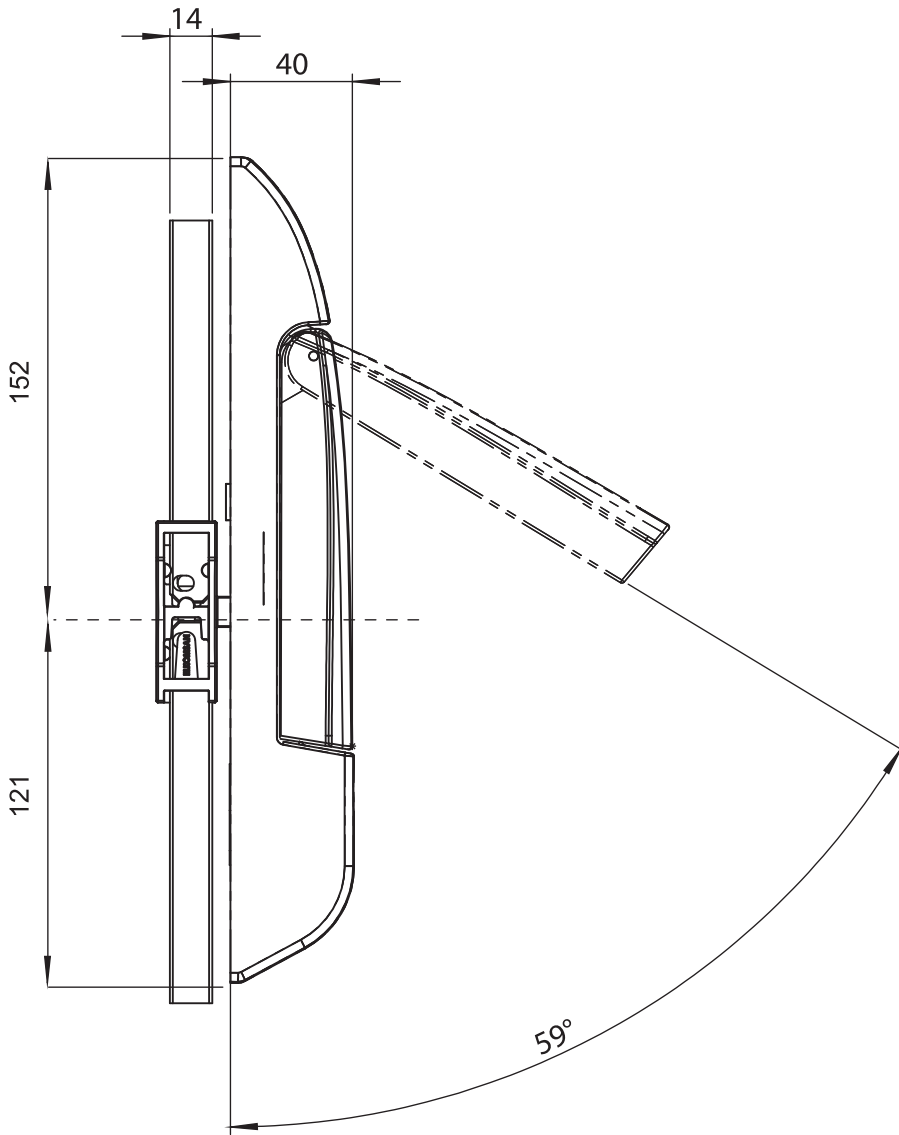


Cut out





Rod Latch Systems

### 2752 - Swinghandle for Narrow Widths

Profile Cylinder Type	Item Number
	Double bit 3 mm 2752 - 031
	Double bit 5 mm 2752 - 032
	Triangular 7 mm 2752 - 037
	Triangular 8 mm 2752 - 033
	Triangular 9 mm 2752 - 039
	Square 7 mm 2752 - 034
	Square 8 mm 2752 - 035
	Slotted 2752 - 038

	Keyed 3333	2752 - 013
	Keyed Same	2752 - 017
	Keyed Differ	2752 - 019
	Keyed Differ with Master System	2752 - 018

You may chose XXX section from cam tables  
 You may chose MK section from Rod Latch Pages 96-98

### Material

**Dish** : Polyamide (PA6 GFR30), black  
**Handle** : Zinc Die, black coated

### Options

**Rods** : The rods are designed according to the customer needs. Please contact with Elkomsan.

**Rod Catchers** : Page 87-91

IP 40



LH/RH

