



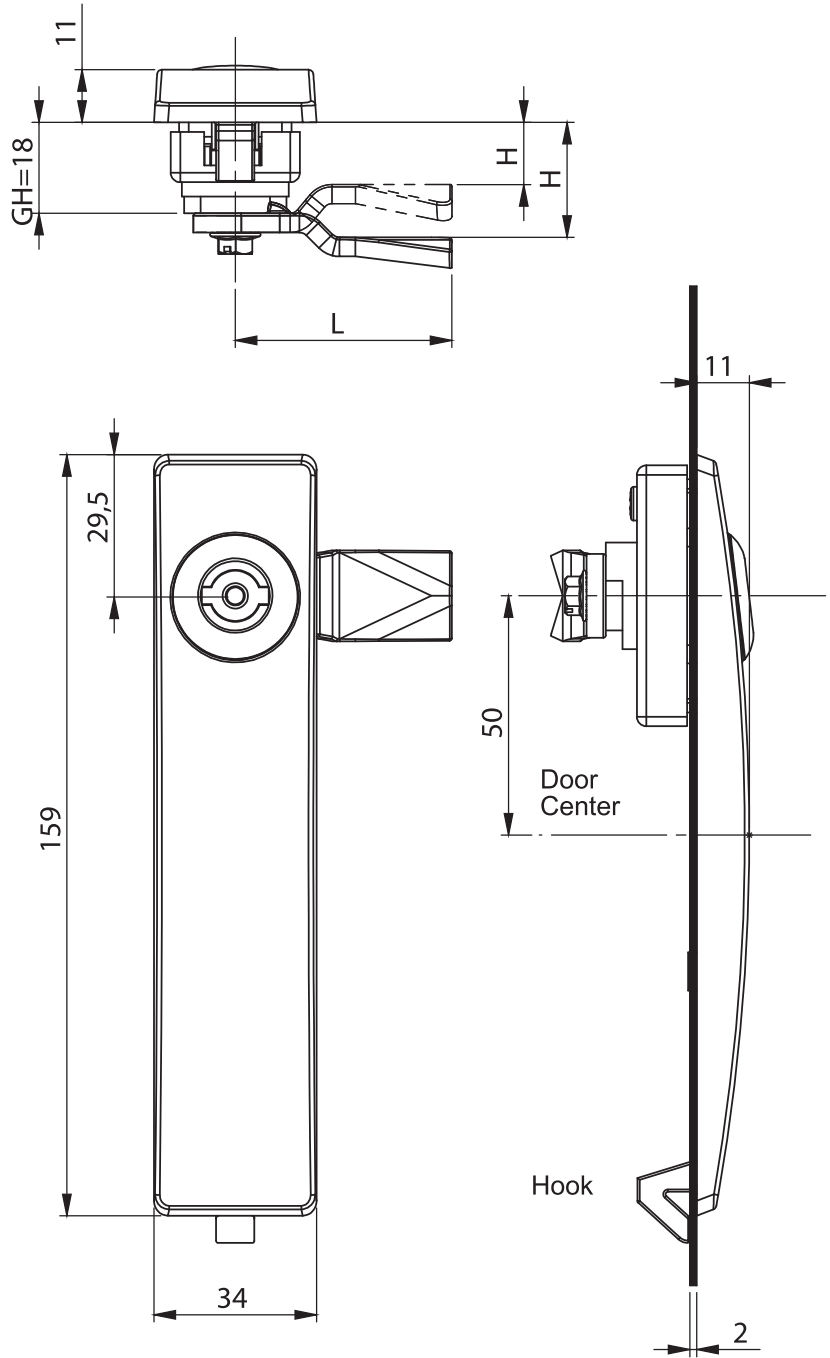
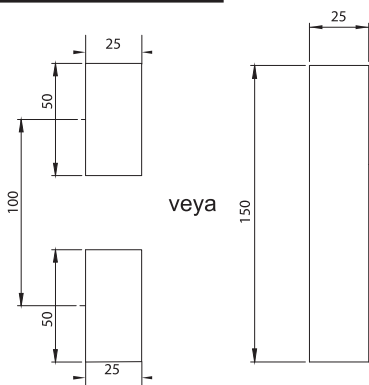
Material

- Housing** : Polyamide (PA6 GFR30), black
- Insert** : Zinc die, chrome plated
- Cam** : Plastic or Steel, zinc plated

Options

- Cams** : Page 84-85
- Keys** : Page 45

Cut out



2840 - Quarter Turn

| | Insert Types | Item Number |
|--|-----------------|------------------|
| | Double Bit 3 mm | 2840 - 201 - xxx |
| | Double Bit 5 mm | 2840 - 202 - xxx |
| | Triangular 8 mm | 2840 - 203 - xxx |
| | Triangular 9 mm | 2840 - 209 - xxx |
| | Square 7 mm | 2840 - 204 - xxx |
| | Square 8 mm | 2840 - 205 - xxx |
| | Slotted | 2840 - 208 - xxx |
| | Eastern Europe | 2840 - 210 - xxx |

You may chose XXX section from cam tables

IP 65

LH/RH

RoHS