

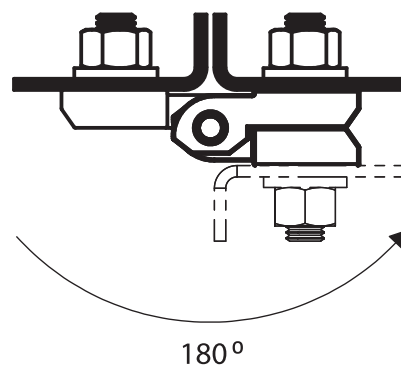
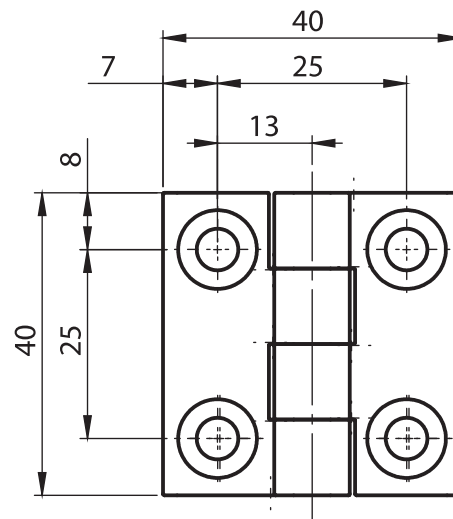
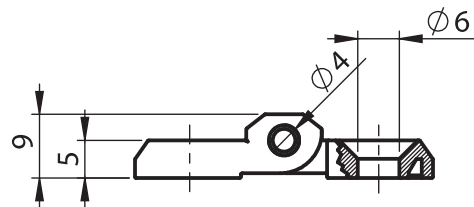
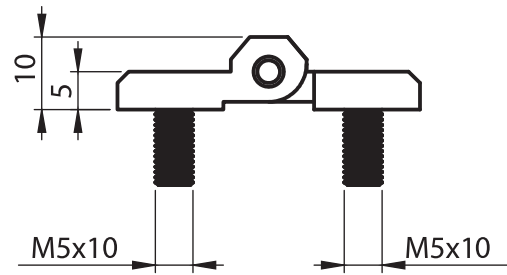


Material

Housing : Polyamide (PA6 GFR30), black
Zinc die,chrome plated or
or black coated

Pin : Steel or stainless steel AISI 304

Screws : Steel or stainless steel AISI 304



3001 - 180° Hinge

| | PA, Black | Zinc Die, Raw | Zinc Die, Black Coated | Zinc Die, Chrome Plated |
|--|--------------|------------------|---------------------------|----------------------------|
| With Holes | 3009 - 100 | 3001 - 200 | 3001 - 210 | 3001 - 220 |
| With Screws | - | 3001 - 201 | 3001 - 211 | 3001 - 221 |
| One side with hole, one side with screw | - | 3001 - 205 | 3001 - 215 | 3001 - 225 |

Item Number ends with "S" : Assembly Pin is Stainless Steel AISI 304 (such as 3011-200S)
Item Number ends with "SS" : Assembly Pin and Screws are Stainless Steel
AISI 304 (such as 3011-200SS)



LH/RH