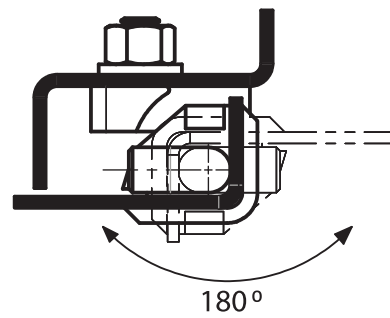
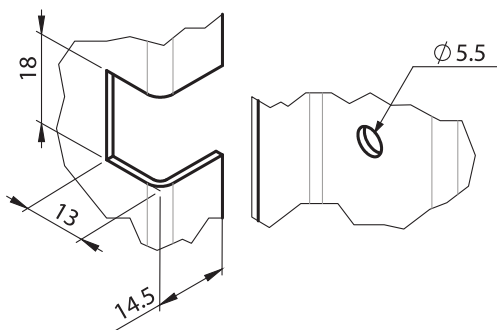


Material

Housing : Polyamide (PA)
Pin : Polyamide (PA) or steel, zinc plated

Cut Out



3003 - 180° Hinge

TS	With Plastic Pin	With Steel Pin
1mm - 1,25 mm	3003 - 100	3003 - 105
1,5mm - 2 mm	3004 - 100	3004 - 105

