

3006 - 180° Hinge

TS	Black Coated	Chrome Plated
1mm - 1,25 mm	3037 - 210	3037 - 220
1,5mm - 2 mm	3006 - 210	3006 - 220



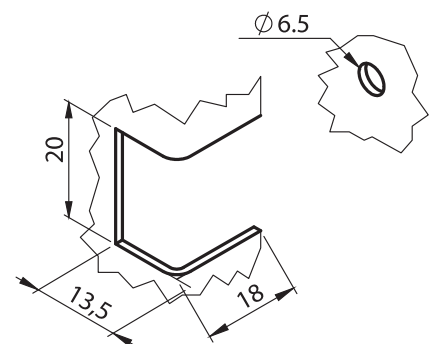
Corner Hinges

Material

Housing : Zinc die, chrome plated or black coated

Pin : Steel, zinc plated

Cut Out



LH/RH

