



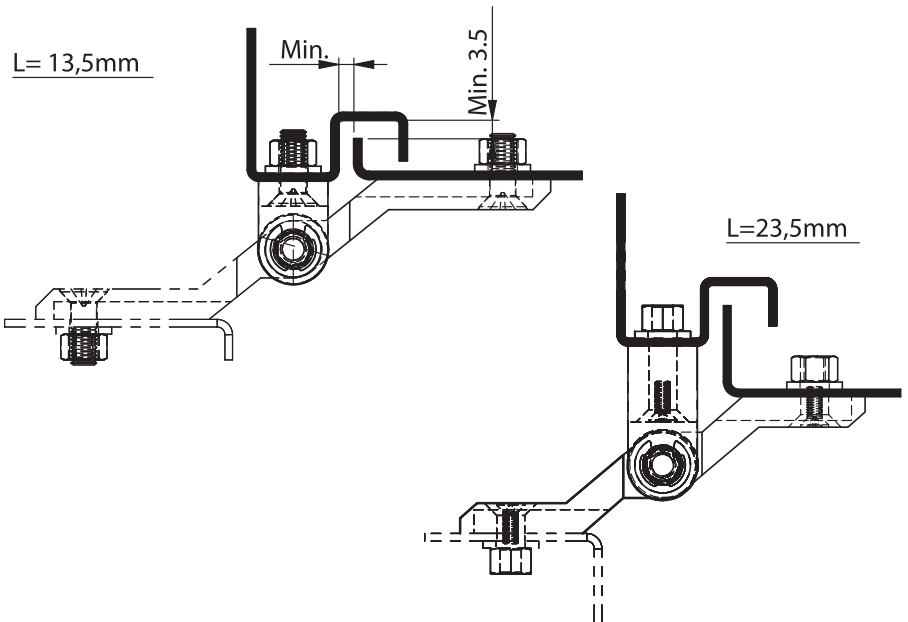
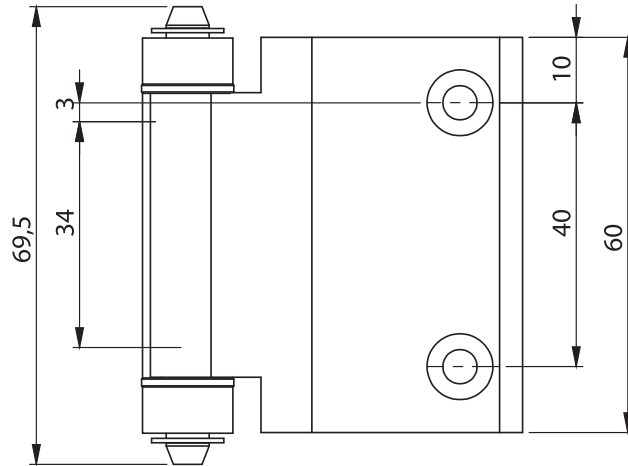
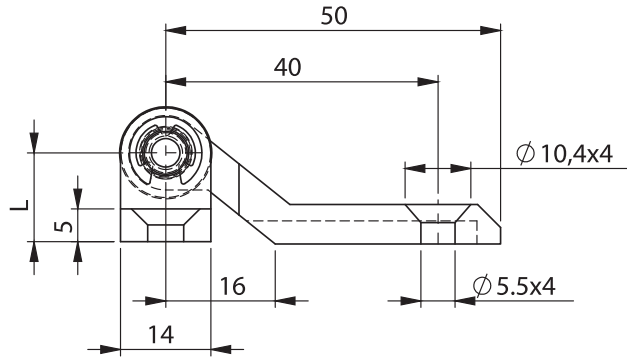
Leaf Hinges

**Material**

**Housing** : Zinc die, chrome plated or black coated

**Pin** : Steel or AISI 304 stainless steel

**Washers** : Polyamide (PA6 GFR30)



**3021 - 180° Hinge**

	Black Coated	Chrome Plated
L=13,5 mm	3021 - 210	3021 - 220
L=23,5 mm	3030 - 210	3030 - 220

Complete Metal



LH/RH