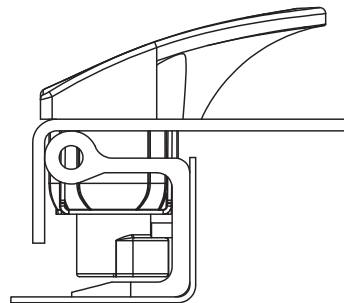
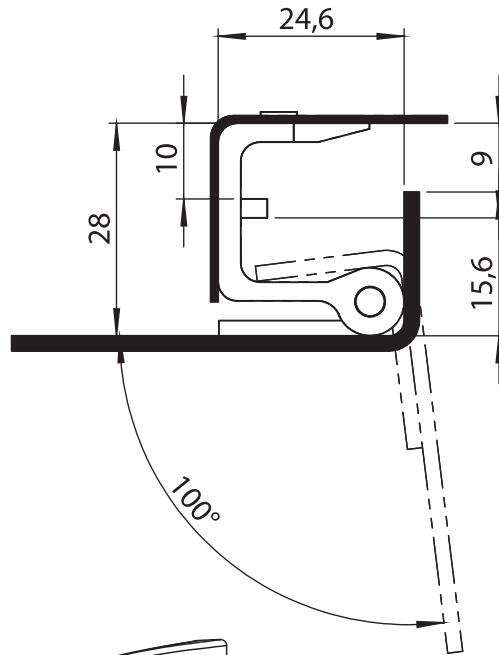
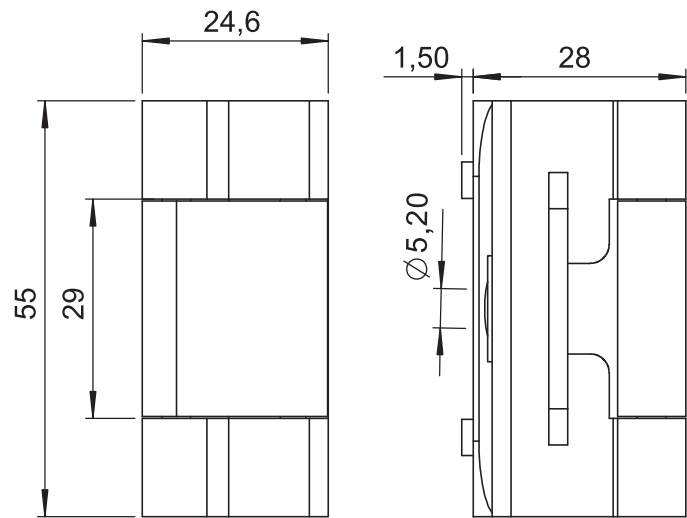




**Material**

- Housing** : Zinc die, raw
- Welding Part** : Steel, copper plated
- Pin** : Steel, zinc plated



\* This hinge can be used for locking quarter turns.  
Model no's: 1370 and 1380

**3095 - 100° Hinge**

Item Number	3095 - 350

