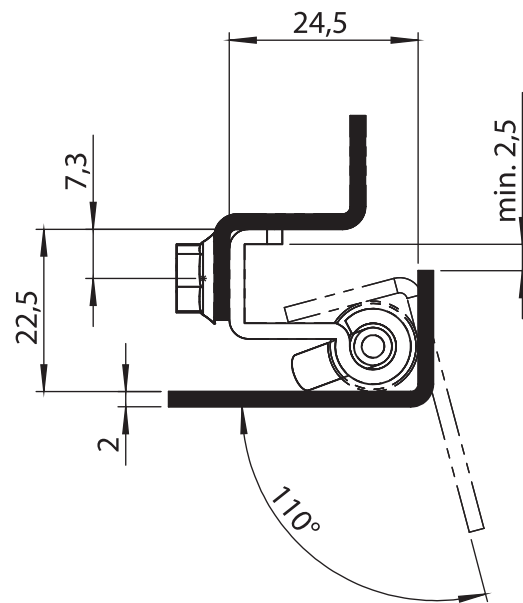


**Material**

- Housing** : Steel, zinc plated
- Welding Part** : Aluminium or steel, copper plated
- Pin** : Steel, zinc plated



3249 - 110° Hinge

Welding Part	With M5 Holes	With Screws
Steel copper plated	3249 - 350	3249 - 351
Aluminium	3249 - 340	3249 - 341



LH/RH