

Handles

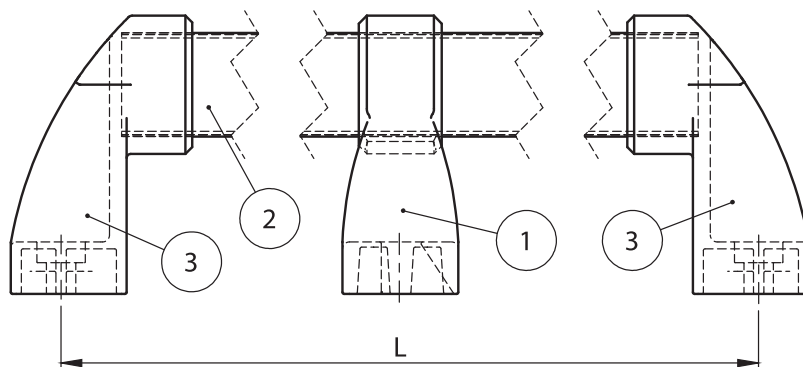
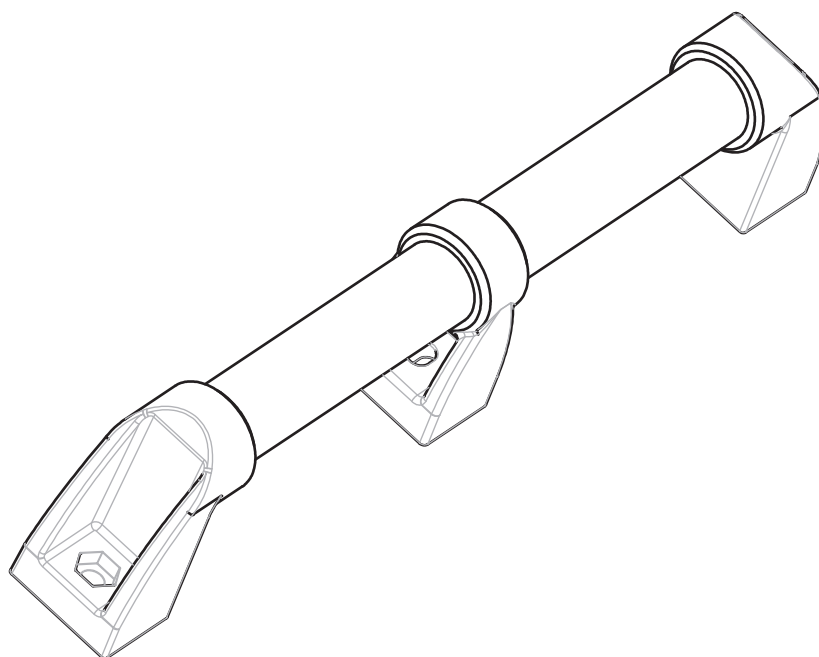


**Material**

**Side Parts** : Polyamide (PA6 GFR 30), black

**Tube** : Plastic coated steel or anodized aluminium

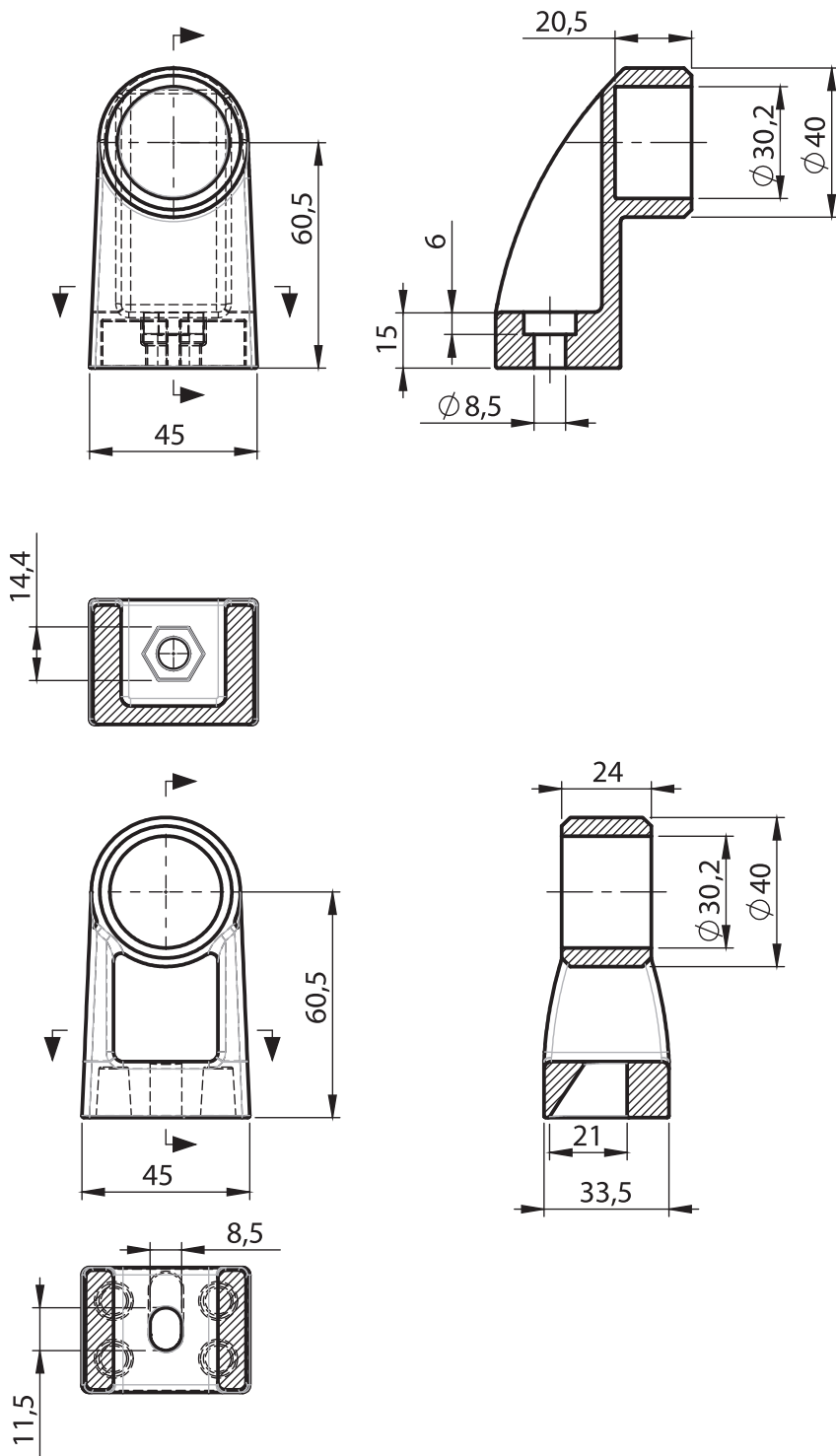
- Middle part should be used when L is longer than 1000 mm.



**4003 - Handle**

	L=200	L=300	L=400	L=500
Plastic Coated Steel Tube	4003 - 200	4003 - 300	4003 - 400	4003 - 500
Anodized Aluminium Tube	4103 - 200	4103 - 300	4103 - 400	4103 - 500

RoHS



Middle Part	4003 - 101
-------------	------------



Handles

RoHS