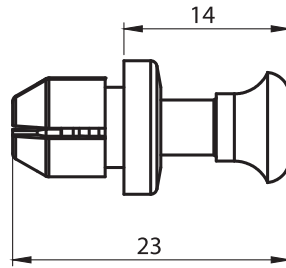
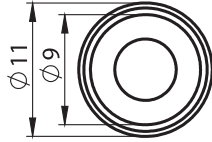
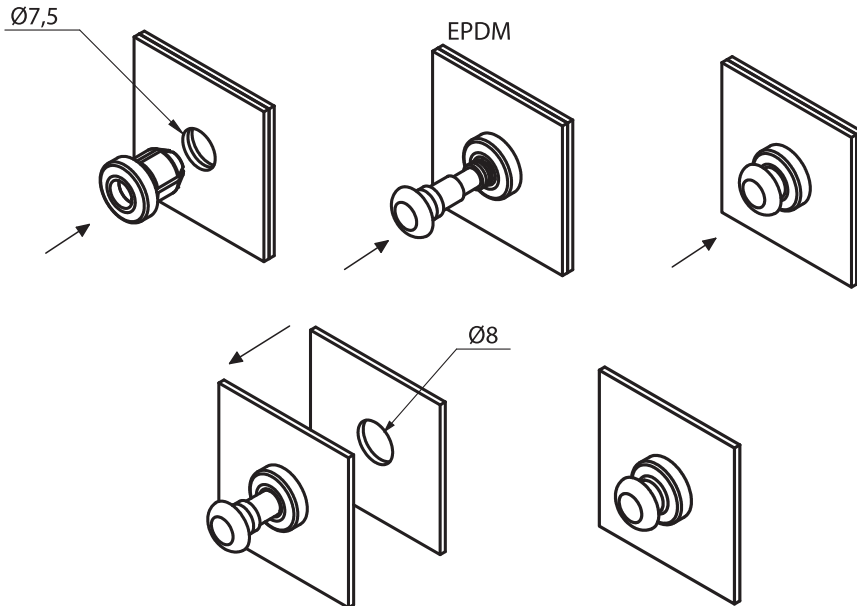


Locked Position



Unlocked Position

Mounting and Operation



Latches and Miscellaneous Locks

Material

Polycarbonate (PC), black

7003 - Joiner

	TS = 0,8 - 1,5 mm	TS = 1,6 - 2,5 mm
Item Number	7003 - 001	7003 - 002

Complete PA

RoHS