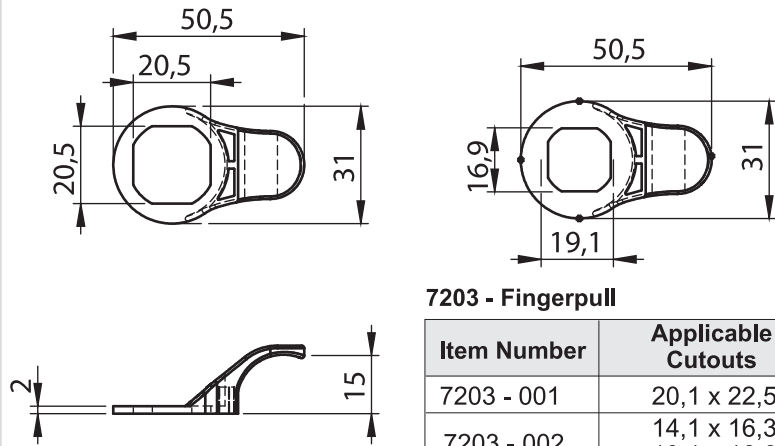


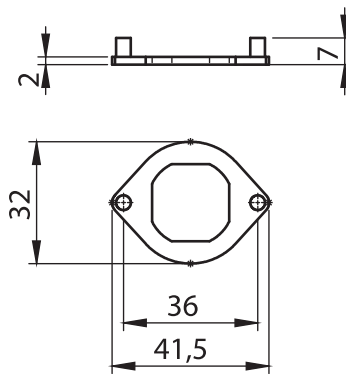
7203
Finger Pull



7203 - Fingerpull

Item Number	Applicable Cutouts
7203 - 001	20,1 x 22,5
7203 - 002	14,1 x 16,3 19,1 x 16,6

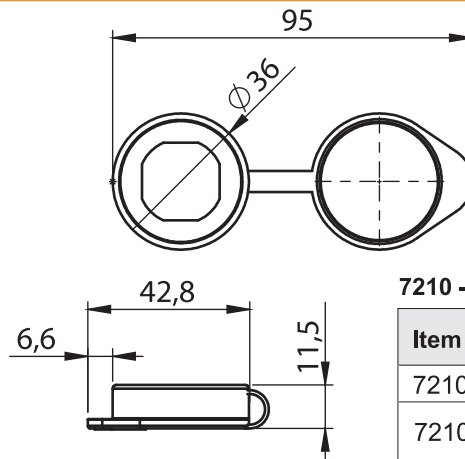
2900 - 407
Fixing Adapter



2900-407 - Fixing Adapter

Item Number	Applicable Cutouts
2900 - 407	

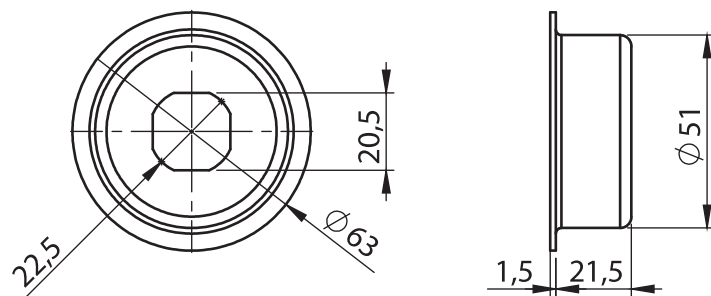
7210
Dust Cap



7210 - Dust Cap

Item Number	Applicable Cut outs
7210 - 001	20,1 x 22,5
7210 - 002	14,1 x 16,3 19,1 x 16,6

2900-450
Assembly Dish



2900-450 - Assembly Dish

Item Number	Applicable Cutouts
2900 - 450	