



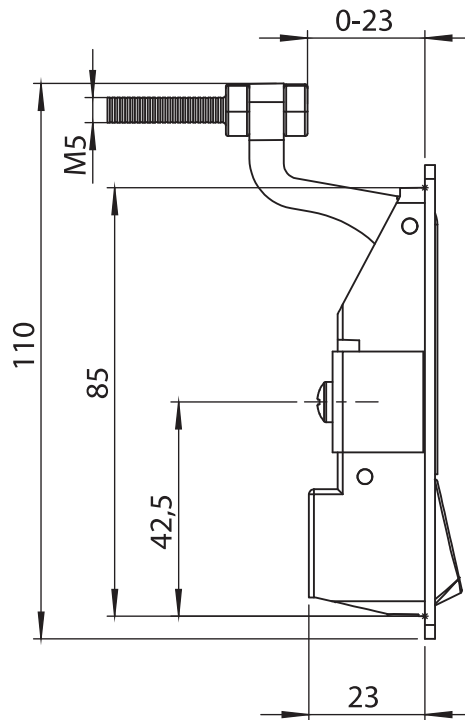
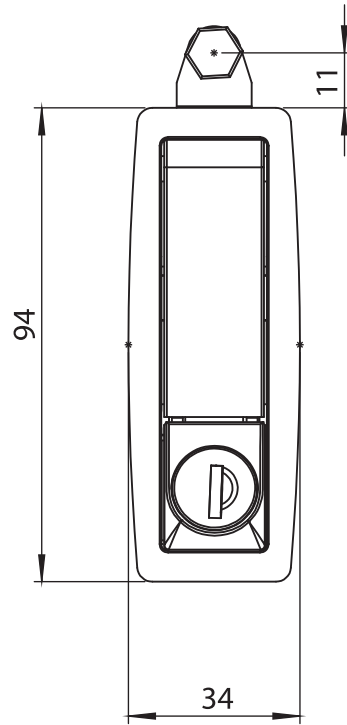
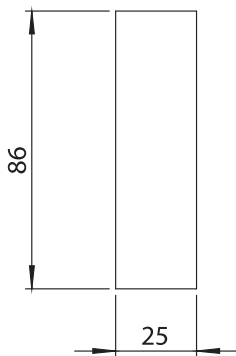
Material

Housing : Zinc die, black coated or chrome plated


Handle : Zinc die, black coated or chrome plated

Mounting Bracket : Steel, zinc plated

Cut Out



7722 - Compression Latch

	Cylinder Type	Black Coated	Chrome Plated
	Non-Locking	7722 - 100	7722 - 200
	Keyed Same	7722 - 127	7722 - 227
	Keyed Differ	7722 - 129	7722 - 229

