

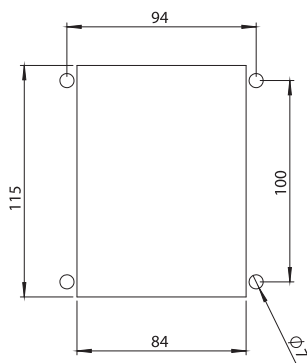
Material

- Housing** : Steel, black coated
- Handle** : Zinc die, chrome plated or black coated
- Cam** : Steel, zinc plated
- Gasket** : Polyurethane
- Padlock Part** : Stainless Steel, AISI 304

Options

- Rod Latch** : Pages 96 - 98
- Cams** : Pages 94 - 95

Cut out



7762 - Heavy Duty Lock - Vertical T Handle

	Handle : Black coated	Handle : Chrome plated
Item Number	7762 - 100 - MK - XXX	7762 - 200 - MK - XXX

You may chose XXX section from cam tables
You may chose MK section from Rod Latch pages

