

Latches and  
Miscellaneous Locks

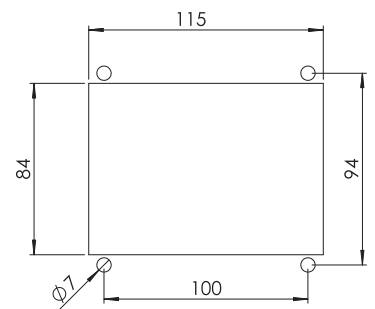
### Material

- Housing** : Steel, black coated
- Handle** : Zinc die, chrome plated or black coated
- Cam** : Steel, zinc plated
- Gasket** : Polyurethane
- Padlock Part** : Stainless Steel, AISI 304

### Options

- Rod Latch** : Pages 96 - 98
- Cams** : Pages 94 - 95

### Cut out



### 7763 - Heavy Duty Lock - Horizontal T Handle

	Handle : Black coated	Handle : Chrome plated
Item Number	7763 - 100 - MK - XXX	7763 - 200 - MK - XXX

You may chose XXX section from cam tables  
You may chose MK section from Rod Latch pages

IP 65



LH/RH



RoHS