

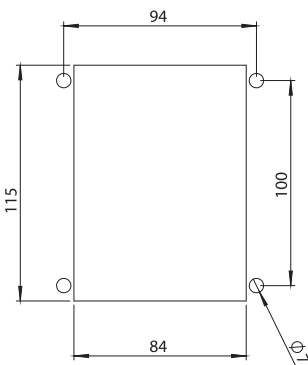
**Material**

- Housing** : Steel, black coated
- Handle** : Zinc die, chrome plated or black coated
- Cam** : Steel, zinc plated
- Gasket** : Polyurethane
- Padlock Part** : Stainless Steel, AISI 304

**Options**

- Cams** : Pages 94 - 95

**Cut out**



**7772 - Heavy Duty Lock - Vertical T Handle**

	Handle : Black coated	Handle : Chrome plated
Item Number	7772 - 100 - MK - XXX	7772 - 200 - MK - XXX

You may chose XXX section from cam tables  
You may chose MK section from Rod Latch pages

IP 65 LH/RH RoHS