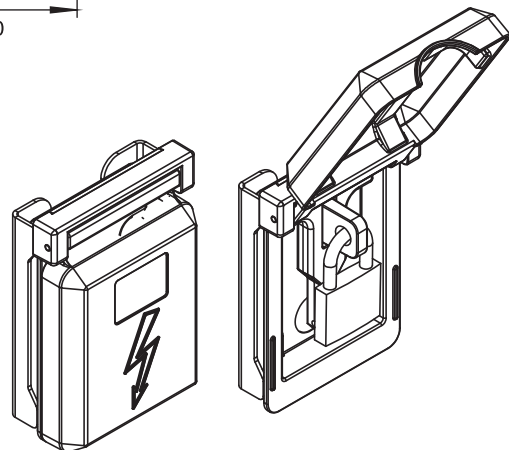
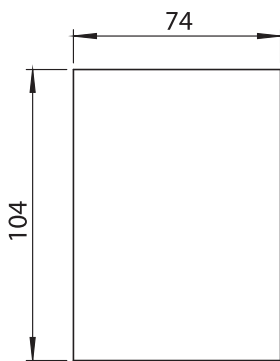


Material

- Housing** : Aluminium, raw or black coated
- Cover** : Aluminium, raw or black coated
- Handle** : Zinc die, chrome plated
- Pin** : Stainless steel
- Padlock Part** : Zinc die

Cut out



7780 - Heavy Duty Lock - T Handle

	Black coated	Non painted
Item Number	7780 - 210	7780 - 100

