

2900 - Cam Adapter

Angle	Swinghandle Models	Adapter Code
90°	2105 / 2201 / 2202 / 2203 / 2213 / 2303	2900 - 102
90°	2105 / 2201 / 2202 / 2203 / 2213 / 2303	2900 - 103
180°	2208 / 2210 / 2301	2900 - 101
180°	2105 / 2201 / 2202 / 2203 / 2213 / 2303	2900 - 100

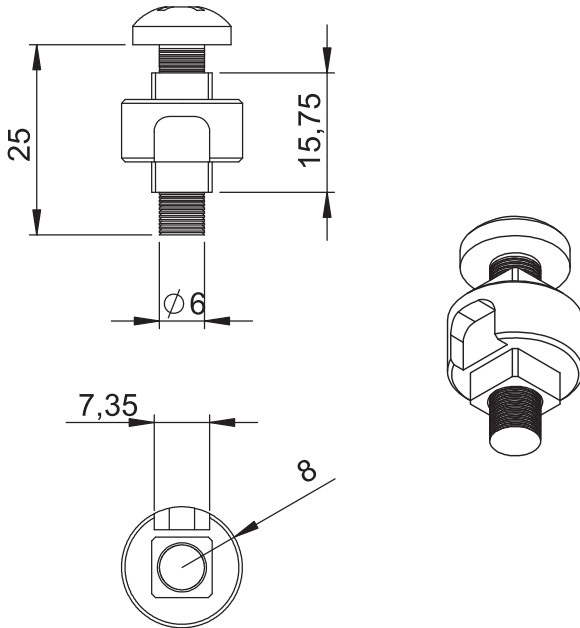
2900  
Cam Adapter



Rod Latch Systems

Material

**Plastic Adapter:** Polyamide (PA6 GFR30), black  
**Metal Adapter :** Zinc Die, raw



2900 - Rod Latch Cam Adapter

Item Number	2900 - 300
-------------	------------

2900  
Rod Latch Cam Adapter



Material : Zinc Die