

Material

Housing : Polyamide (PA6 GFR30),
Black / Zinc Die

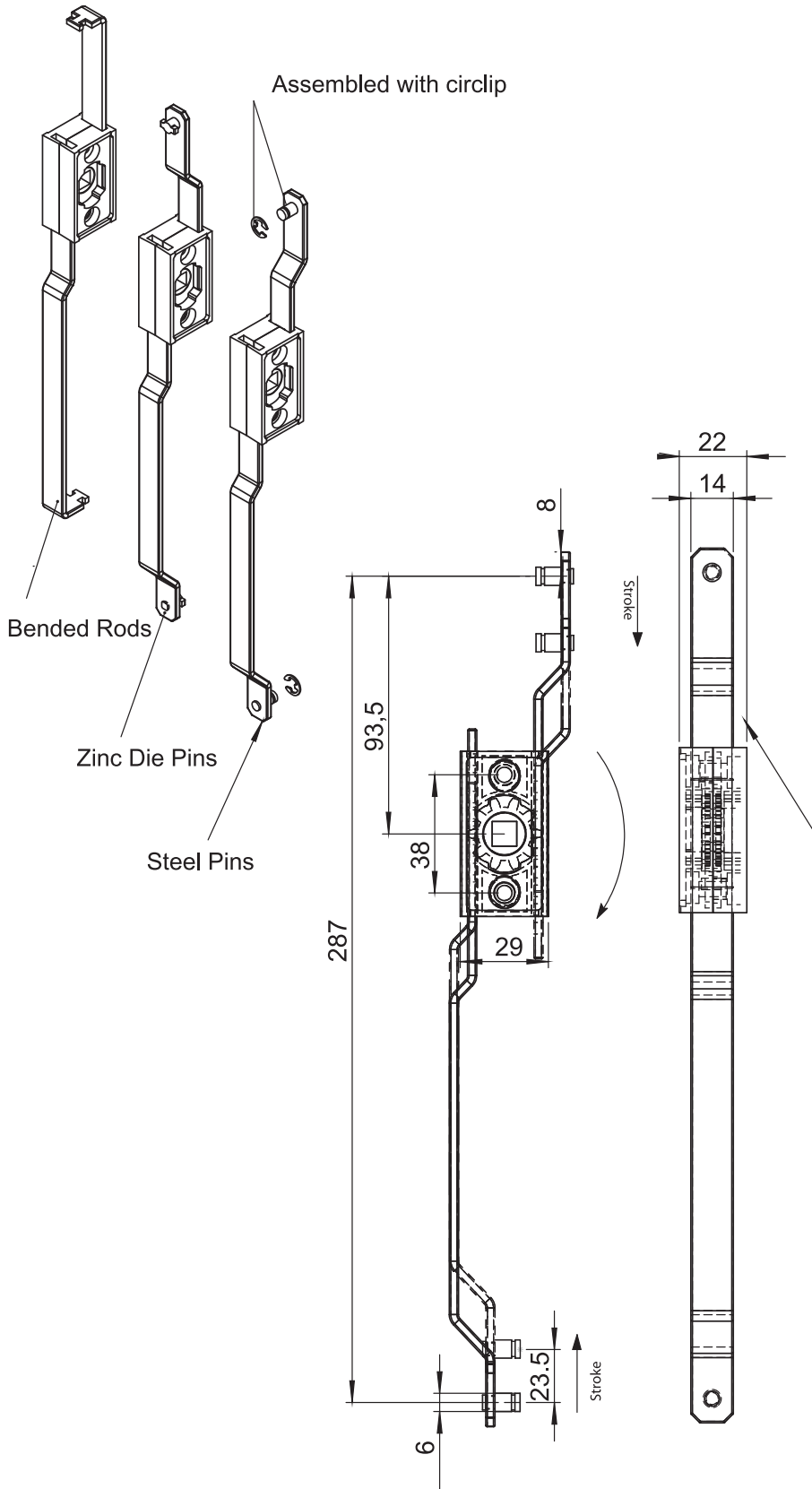
Rods : Steel, zinc plated

Pins : Steel, zinc plated / Zinc die

8601 - Rod Latch 125 mm

	Plastic Housing		Zinc Die Housing	
	MK	Item Number	MK	Item Number
Bended Rods	646	8646 - 000	636	8636 - 000
Steel Pins	644	8644 - 000	634	8634 - 000
Zinc Die Pins	645	8645 - 000	635	8635 - 000





Rod Latch Systems

Material

Housing : Polyamide (PA6 GFR30),
Black / Zinc Die

Rods : Steel, zinc plated

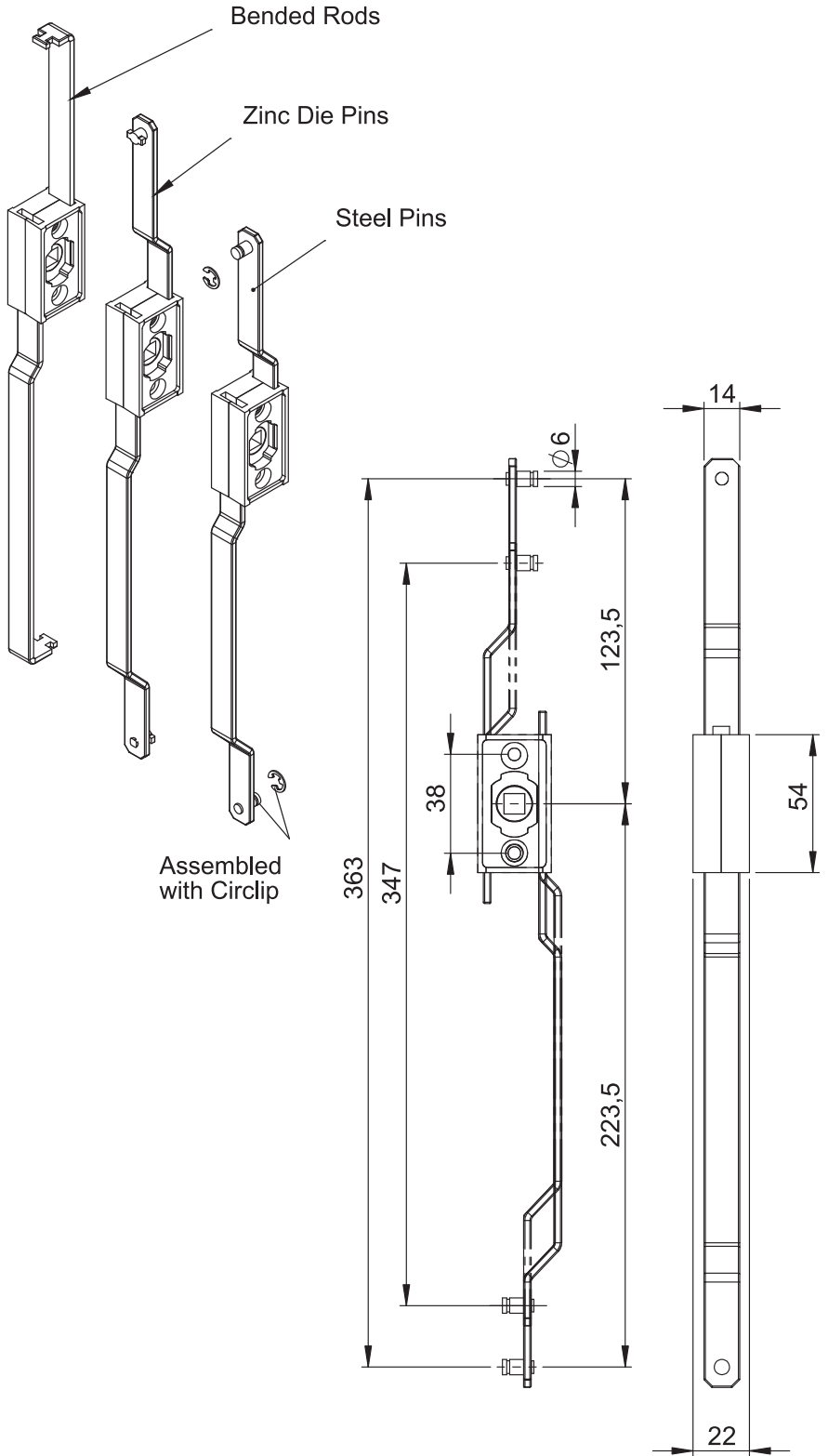
Pins : Steel, zinc plated / Zinc die

8201 - Rod Latch 287mm

	Plastic Housing		Zinc Die Housing	
	MK	Item Number	MK	Item Number
Bended Rods	246	8246 - 000	236	8236 - 000
Steel Pins	244	8244 - 000	234	8234 - 000
Zinc Die Pins	245	8245 - 000	235	8235 - 000

LH/RH

RoHS



Material

Housing : Polyamide (PA6 GFR30),
Black / Zinc Die

Rods : Steel, zinc plated

Pins : Steel, zinc plated / Zinc die

8101 - Rod Latch 347 mm

	Plastic Housing		Zinc Die Housing	
	MK	Item Number	MK	Item Number
Bended Rods	146	8146 - 000	136	8136 - 000
Steel Pins	144	8144 - 000	134	8134 - 000
Zinc Die Pins	145	8145 - 000	135	8135 - 000

LH/RH

RoHS