

Material

Rods : Steel, zinc plated

Roller : Polyamide (PA), black

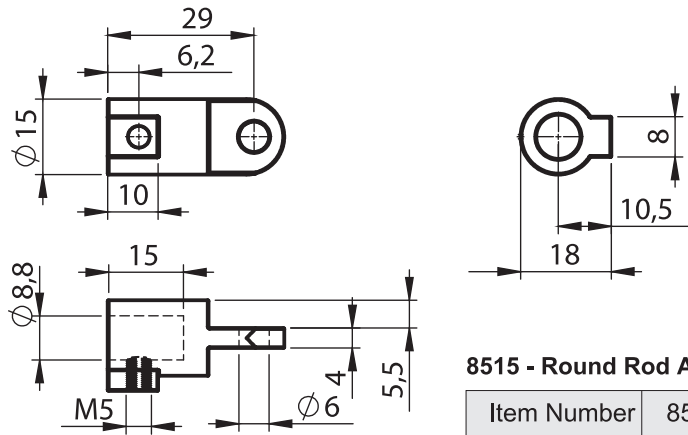
8400 - Round Rods

A	Round rod with eye	8410-L (mm)
B	Round rod with eye and chamfered end	8420-L (mm)
C	Round rod with chamfered end	8430-L (mm)
D	Round rod with roller (bended)	8450-L (mm)
E	Round rod with roller (straight)	8460-L (mm)
F	Round rod with eye and roller	8470-L (mm)
G	Round rod with eye and roller	8480-L (mm)
H	Round rod with eye and chamfered end (bended)	8490-L (mm)

**8515
Round Rod Adapter**



Material : Zinc-die, zinc plated



8515 - Round Rod Adapter

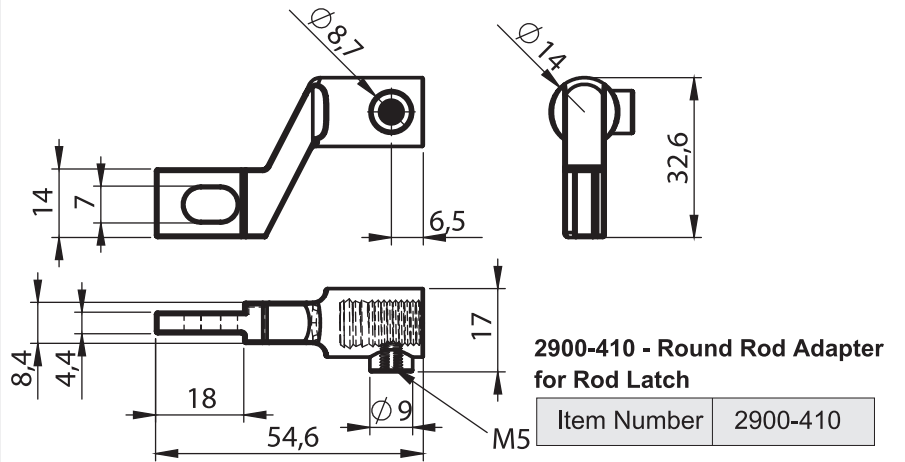
Item Number	8515-001
-------------	----------

Adapters

**2900-410
Round Rod Adapter for Rod Latch**



Material : Zinc-die, zinc plated



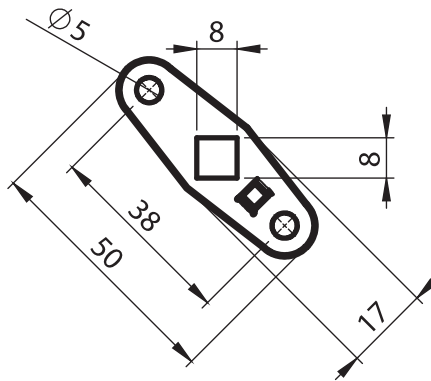
2900-410 - Round Rod Adapter for Rod Latch

Item Number	2900-410
-------------	----------

**2900-401
Rod Adapter**



Material : Steel, zinc plated



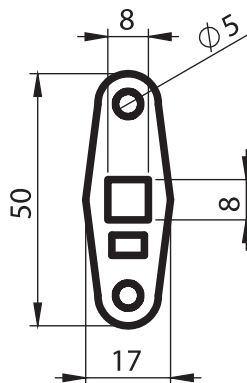
2900-401 - Rod Adapter

Item Number	2900-401
-------------	----------

**2900-402
Rod Adapter**



Material : Steel, zinc plated



2900-402 - Rod Adapter

Item Number	2900-402
-------------	----------