

Corner Hinges

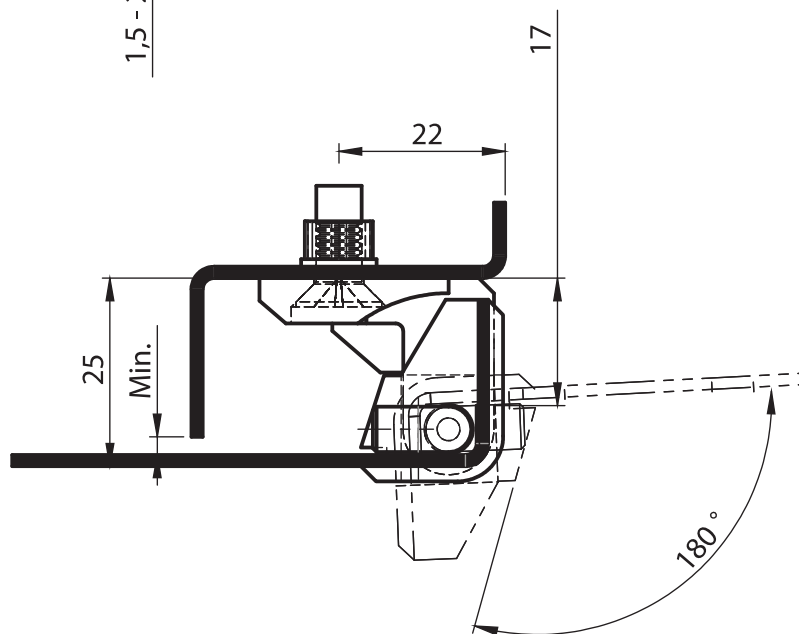
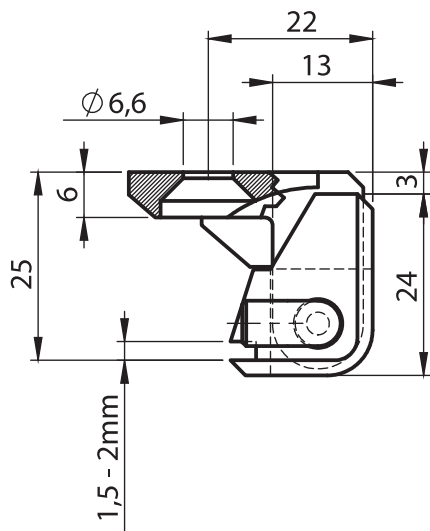
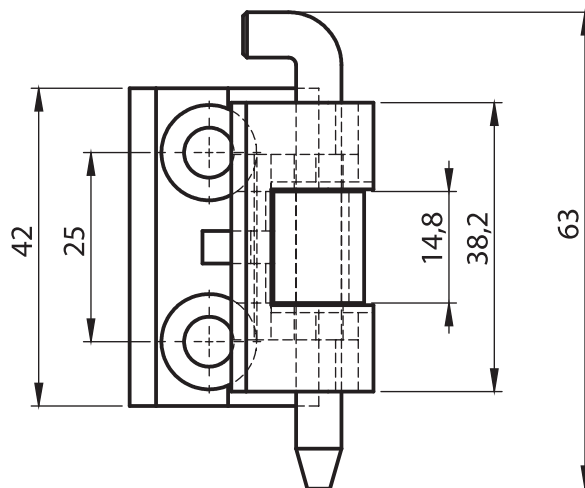
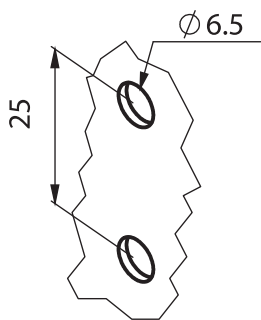


Material

Housing : Zinc die, chrome plated or black coated

Pin : Steel, zinc plated

Cut Out



3005 - 180° Hinge

	Black Coated	Chrome Plated
Item Number	3005 - 210	3005 - 220

