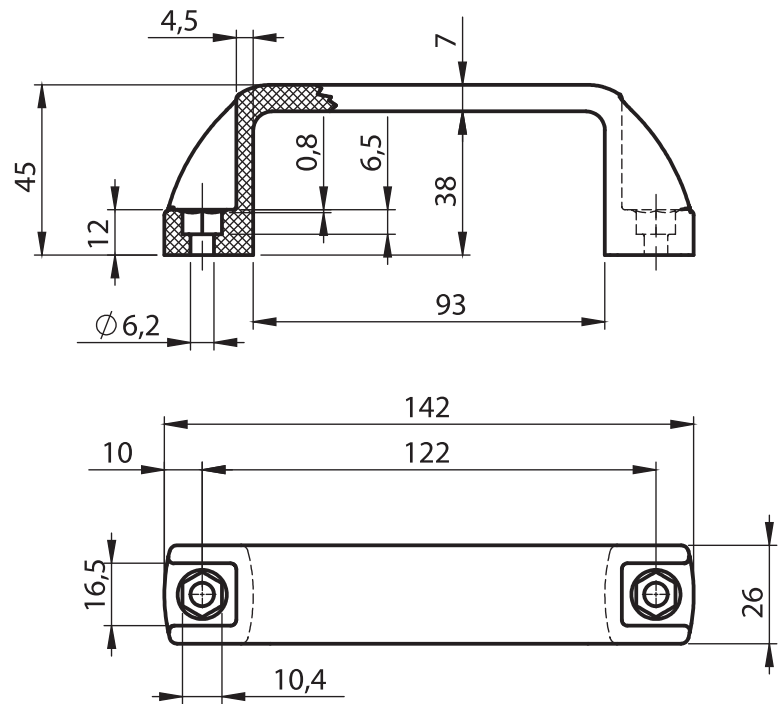


Handles



**Material**

Polyamide (PA6 GRF30), black

- Please contact Elkomsan for your other color requests

RoHS

**4001 - Handle**

	Fixing on Top	Fixing on Bottom
Item Number	4001 - 001	4001 - 101