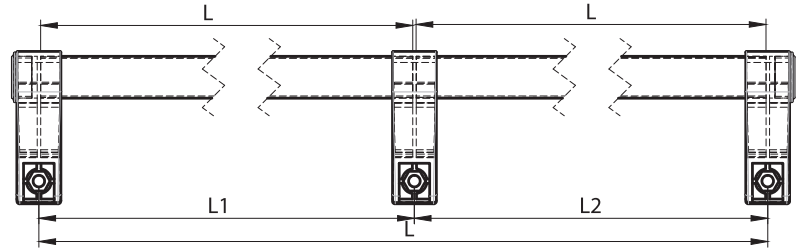


Handles



Material

Side Parts : Polyamide (PA6 GFR 30), black

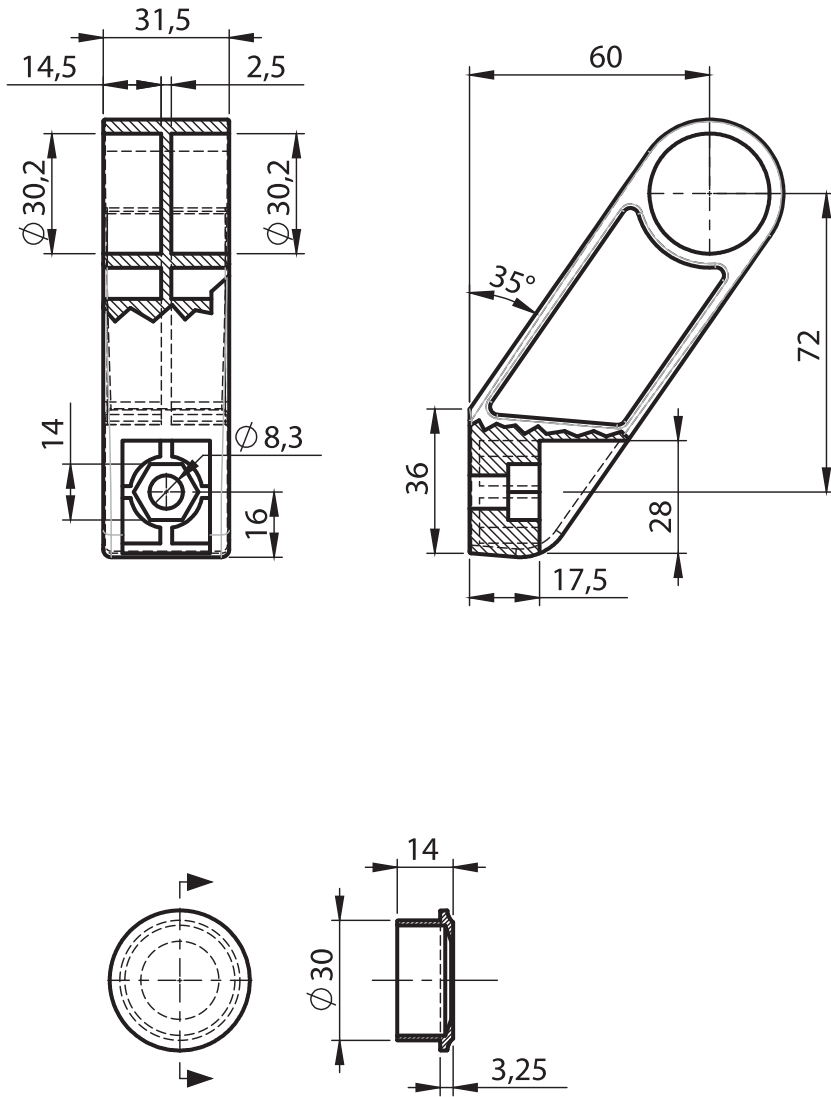
Tube : Plastic coated steel or anodized aluminium

- Middle part should be used when L is longer than 1000 mm.

RoHS

4004 - Handle

	L=200	L=300	L=400	L=500
Plastic Coated Steel Tube	4004 - 200	4004 - 300	4004 - 400	4004 - 500
Anodized Aluminium Tube	4104 - 200	4104 - 300	4104 - 400	4104 - 500



Handles

Middle Part	4004 - 101
-------------	------------

RoHS